

GB E P

Operating manual

Instrucciones de uso.....p. 22

Manual de proprietário...p. 44



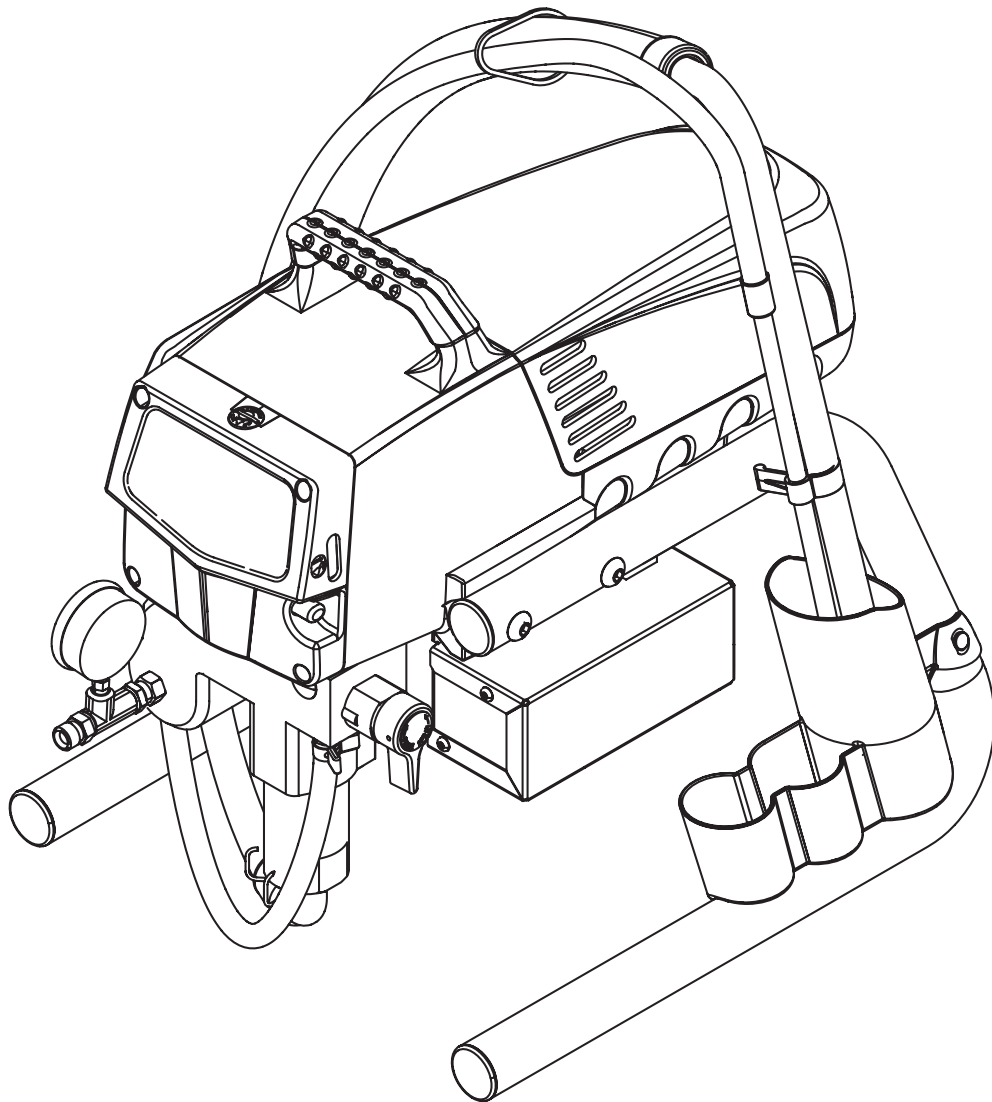
Advanced Performance. Total Reliability.

Performance Series 560e

Airless high-pressure spraying unit

Airless Equipo de alta presión para pulverizar

Unidade de pulverização de alta pressão Airless



Warning!

Attention: Danger of injury by injection!
Airless units develop extremely high spraying pressures.



1

Never put your fingers, hands or any other parts of the body into the spray jet!

Never point the spray gun at yourself, other persons or animals.

Never use the spray gun without safety guard.

Do not treat a spraying injury as a harmless cut. In case of injury to the skin through coating materials or solvents, consult a doctor immediately for quick and expert treatment. Inform the doctor about the coating material or solvent used.

2

The operating instructions state that the following points must always be observed before starting up:

1. Faulty units must not be used.
2. Secure Titan spray gun using the safety catch on the trigger.
3. Ensure that the unit is properly earthed.
4. Check allowable operating pressure of high-pressure hose and spray gun.
5. Check all connections for leaks.

3

The instructions regarding regular cleaning and maintenance of the unit must be strictly observed.

Before any work is done on the unit or for every break in work the following rules must be observed:

1. Release the pressure from spray gun and hose.
2. Secure the Titan spray gun using the safety catch on the trigger.
3. Switch off unit.

Be safety conscious!


Contents

	Page		Page
1. Safety regulations for Airless spraying	2	8. Cleaning the unit (shutting down)	11
1.1 Explanation of symbols used	2	8.1 Cleaning unit from outside.....	11
1.2 Electric safety	5	8.2 Suction filter	12
1.3 Electrostatic charging (formation of sparks or flames).....	5	8.3 Cleaning the high-pressure filter	12
2. General view of application	6	8.4 Cleaning Airless spray gun.....	12
2.1 Application	6	9. Remedy in case of faults	13
2.2 Coating materials	6	10. Servicing	14
3. Description of unit	6	10.1 General servicing.....	14
3.1 Airless process	6	10.2 High-pressure hose.....	14
3.2 Functioning of the unit	6	11. Repairs at the unit	14
3.3 Legend for explanatory diagram Performance Series 560e	7	11.1 Relief valve.....	14
3.4 Explanatory diagram Performance Series 560e	7	11.2 Inlet and outlet valve	14
3.5 Technical data	8	11.3 Packings.....	15
3.6 Transportation in vehicle.....	8	11.4 Replacing the motor assembly.....	16
4. Starting operation	8	11.5 Replacing the gears.....	16
4.1 High-pressure hose, spray gun and separating oil	8	11.6 Replacing the transducer	17
4.2 Control panel indicators	9	11.7 Performance Series 560e connection diagram	17
4.3 Pressure control knob settings.....	9	12. Appendix	18
4.4 Connection to the mains network	9	12.1 Selection of tip	18
4.5 Cleaning preserving agent when starting-up of operation initially.....	10	12.2 Servicing and cleaning of Airless hard-metal tips	18
4.6 Taking the unit into operation with coating material.....	10	12.3 Spray gun accessories.....	18
5. Spraying technique	10	12.4 Airless tip table.....	19/20
6. Handling the high-pressure hose	11	12.5 TR ² Tip table.....	21
7. Interruption of work	11	12.6 Additional accessories for 560e	21
		Spare parts lists	66
		Spare parts list for main assembly	66
		Spare parts list for fluid section.....	68
		Spare parts list for drive assembly	70
		Spare parts list of stand.....	72
		Spare parts list for suction system	73
		Warranty	76

1. Safety regulations for Airless spraying

1.1 Explanation of symbols used

This manual contains information that must be read and understood before using the equipment. When you come to an area that has one of the following symbols, pay particular attention and make certain to heed the safeguard.

	This symbol indicates a potential hazard that may cause serious injury or loss of life. Important safety information will follow.
	This symbol indicates a potential hazard to you or to the equipment. Important information that tells how to prevent damage to the equipment or how to avoid causes of minor injuries will follow.
	Danger of skin injection
	Danger of fire from solvent and paint fumes
	Danger of explosion from solvent, paint fumes and incompatible materials
	Danger of injury from inhalation of harmful vapors
	Notes give important information which should be given special attention.



HAZARD: INJECTION INJURY

Attention: Danger of injury by injection! A high pressure stream produced by this equipment can pierce the skin and underlying tissues, leading to serious injury and possible amputation.

Do not treat a spraying injury as a harmless cut. In case of injury to the skin through coating materials or solvents, consult a doctor immediately for quick and expert treatment. Inform the doctor about the coating material or solvent used.

PREVENTION:

- NEVER aim the gun at any part of the body.
- NEVER allow any part of the body to touch the fluid stream. DO NOT allow body to touch a leak in the fluid hose.
- NEVER put your hand in front of the gun. Gloves will not provide protection against an injection injury.
- ALWAYS lock the gun trigger, shut the fluid pump off and release all pressure before servicing, cleaning the tip guard, changing tips, or leaving unattended. Pressure will not be released by turning off the engine. The PRIME/SPRAY valve or pressure bleed valve must be turned to their appropriate positions to relieve system pressure.
- ALWAYS keep tip guard in place while spraying. The tip guard provides some protection but is mainly a warning device.
- ALWAYS remove the spray tip before flushing or cleaning the system.
- NEVER use a spray gun without a working trigger lock and trigger guard in place.
- All accessories must be rated at or above the maximum operating pressure range of the sprayer. This includes spray tips, guns, extensions, and hose.



HAZARD: HIGH PRESSURE HOSE

The paint hose can develop leaks from wear, kinking and abuse. A leak can inject material into the skin. Inspect the hose before each use.

PREVENTION:

- High-pressure hoses must be checked thoroughly before they are used.
- Replace any damaged high-pressure hose immediately.
- Never repair defective high-pressure hoses yourself!
- Avoid sharp bends and folds: the smallest bending radius is about 20 cm.
- Do not drive over the high-pressure hose. Protect against sharp objects and edges.
- Never pull on the high-pressure hose to move the device.
- Do not twist the high-pressure hose.
- Do not put the high-pressure hose into solvents. Use only a wet cloth to wipe down the outside of the hose.
- Lay the high-pressure hose in such a way as to ensure that it cannot be tripped over.



Only use Titan original-high-pressure hoses in order to ensure functionality, safety and durability.



HAZARD: EXPLOSION OR FIRE

Solvent and paint fumes can explode or ignite. Severe injury and/or property damage can occur.

PREVENTION:

- Do not use materials with a flashpoint below 38° C (100° F). Flashpoint is the temperature at which a fluid can produce enough vapors to ignite.
- Do not use the unit in work places which are covered by the explosion protection regulations.
- Provide extensive exhaust and fresh air introduction to keep the air within the spray area free from accumulation of flammable vapors.
- Avoid all ignition sources such as static electricity sparks, electrical appliances, flames, pilot lights, hot objects, and sparks from connecting and disconnecting power cords or working light switches.
- Do not smoke in spray area.
- Place sprayer sufficient distance from the spray object in a well ventilated area (add more hose if necessary). Flammable vapors are often heavier than air. Floor area must be extremely well ventilated. The pump contains arcing parts that emit sparks and can ignite vapors.
- The equipment and objects in and around the spray area must be properly grounded to prevent static sparks.
- Use only conductive or earthed high pressure fluid hose. Gun must be earthed through hose connections.
- Power cord must be connected to a grounded circuit (electric units only).
- Always flush unit into separate metal container, at low pump pressure, with spray tip removed. Hold gun firmly against side of container to ground container and prevent static sparks.
- Follow material and solvent manufacturer's warnings and instructions. Be familiar with the coating material's MSDS sheet and technical information to ensure safe use.
- Use lowest possible pressure to flush equipment.

- When cleaning the unit with solvents, the solvent should never be sprayed or pumped back into a container with a small opening (bunghole). An explosive gas/air mixture can arise. The container must be earthed.



HAZARD: HAZARDOUS VAPORS

Paints, solvents, and other materials can be harmful if inhaled or come in contact with body. Vapors can cause severe nausea, fainting, or poisoning.

PREVENTION:

- Wear respiratory protection when spraying. Read all instructions supplied with the mask to be sure it will provide the necessary protection.
- All local regulations regarding protection against hazardous vapors must be observed.
- Wear protective eyewear.
- Protective clothing, gloves and possibly skin protection cream are necessary for the protection of the skin. Observe the regulations of the manufacturer concerning coating materials, solvents and cleaning agents in preparation, processing and cleaning units.



HAZARD: GENERAL

This product can cause severe injury or property damage.

PREVENTION:

- Follow all appropriate local, state, and national codes governing ventilation, fire prevention, and operation.
- Pulling the trigger causes a recoil force to the hand that is holding the spray gun. The recoil force of the spray gun is particularly powerful when the tip has been removed and a high pressure has been set on the airless pump. When cleaning without a spray tip, set the pressure control knob to the lowest pressure.
- Use only manufacturer authorized parts. User assumes all risks and liabilities when using parts that do not meet the minimum specifications and safety devices of the pump manufacturer.
- ALWAYS follow the material manufacturer's instructions for safe handling of paint and solvents.
- Clean up all material and solvent spills immediately to prevent slip hazard.
- Wear ear protection. This unit can produce noise levels above 85 dB(A).
- Never leave this equipment unattended. Keep away from children or anyone not familiar with the operation of airless equipment.
- Do not spray on windy days.
- The device and all related liquids (i.e. hydraulic oil) must be disposed of in an environmentally friendly way.
- This appliance is not intended for use by persons (including children) with reduced physical, sensory or mental capabilities, or lack of experience and knowledge, unless they have been given supervision or instruction concerning use of the appliance by a person responsible for their safety. Children should be supervised to ensure that they do not play with the appliance.

1.2 Electric Safety

Electric models must be earthed. In the event of an electrical short circuit, earthing reduces the risk of electric shock by providing an escape wire for the electric current. This product is equipped with a cord having an earthing wire with an appropriate earthing plug. Connection to the mains only through a special feed point, e.g. through an error protection installation with INF < 30 mA.



DANGER — Work or repairs at the electrical equipment may only be carried out by a skilled electrician. No liability is assumed for incorrect installation. Switch the unit off. Before all repair work, unplug the power plug from the outlet.

Danger of short-circuits caused by water ingressing into the electrical equipment. Never spray down the unit with high-pressure or high-pressure steam cleaners.

Work or repairs at the electrical equipment:

These may only be carried out by a skilled electrician. No liability is assumed for incorrect installation.



If the supply cord is damaged, it must be replaced by the manufacturer or its service agent or a similarly qualified person in order to avoid a safety hazard.

1.3 Electrostatic charging (formation of sparks or flames)



Electrostatic charging of the unit may occur during spraying due to the flow speed of the coating material. These can cause sparks and flames upon discharge. The unit must therefore always be earthed via the electrical system. The unit must be connected to an appropriately-grounded safety outlet.

An electrostatic charging of spray guns and the high-pressure hose is discharged through the high-pressure hose. For this reason the electric resistance between the connections of the high-pressure hose must be equal to or lower than 1 MΩ.

2. General view of application

2.1 Application

The unit performance is conceived so that its use is possible on building sites for small- to middle-area dispersion work.

Examples of objects of spraying

The sprayer is able for all common varnishing jobs like doors, door frames, balustrades, furniture, woodencladding, fences, radiators (heating) and steel parts.

2.2 Coating materials

Processible coating materials



Pay attention to the Airless quality of the coating materials to be processed.

Dilutable lacquers and paints or those containing solvents, two-component coating materials, dispersions, latex paints.

No other materials should be used for spraying without Titan's approval.

Filtering

Despite suction filter and insertion filter in the spray gun, filtering of the coating material is generally advisable.

Stir coating material before commencement of work.



Attention: Make sure, when stirring up with motor-driven agitators that no air bubbles are stirred in. Air bubbles disturb when spraying and can, in fact, lead to interruption of operation.

Viscosity

With this unit it is possible to process highly viscous coating materials of up to around 20.000 MPa-s.

If highly viscous coating materials cannot be taken in by suction, they must be diluted in accordance with the manufacturer's instructions.

Two-component coating material

The appropriate processing time must be adhered to exactly. Within this time rinse through and clean the unit meticulously with the appropriate cleaning materials.

Coating materials with sharp-edged additional materials

These have a strong wear and tear effect on valves, high-pressure hose, spray gun and tip. The durability of these parts can be reduced appreciably through this.

3. Description of unit

3.1 Airless process

The main areas of application are thick layers of highly viscous coating material for large areas and a high consumption of material. A piston pump takes in the coating material by suction and conveys it to the tip. Pressed through the tip at a pressure of up to a maximum of 221 bar (22.1 MPa), the coating material is atomised. This high pressure has the effect of micro fine atomisation of the coating material.

As no air is used in this process, it is described as an AIRLESS process.

This method of spraying has the advantages of finest atomisation, cloudless operation and a smooth, bubble-free surface. As well as these, the advantages of the speed of work and convenience must be mentioned.

3.2 Functioning of the unit

In the following there is a short description of the technical construction for better understanding of the function.

Titan 560e units are electrically driven high-pressure spraying units.

A gear unit transfers the driving force to a crankshaft. The crankshaft moves the pistons of the material feed pump up and down.

The inlet valve is opened automatically by the upwards movement of the piston. The outlet valve is opened when the piston moves downward.

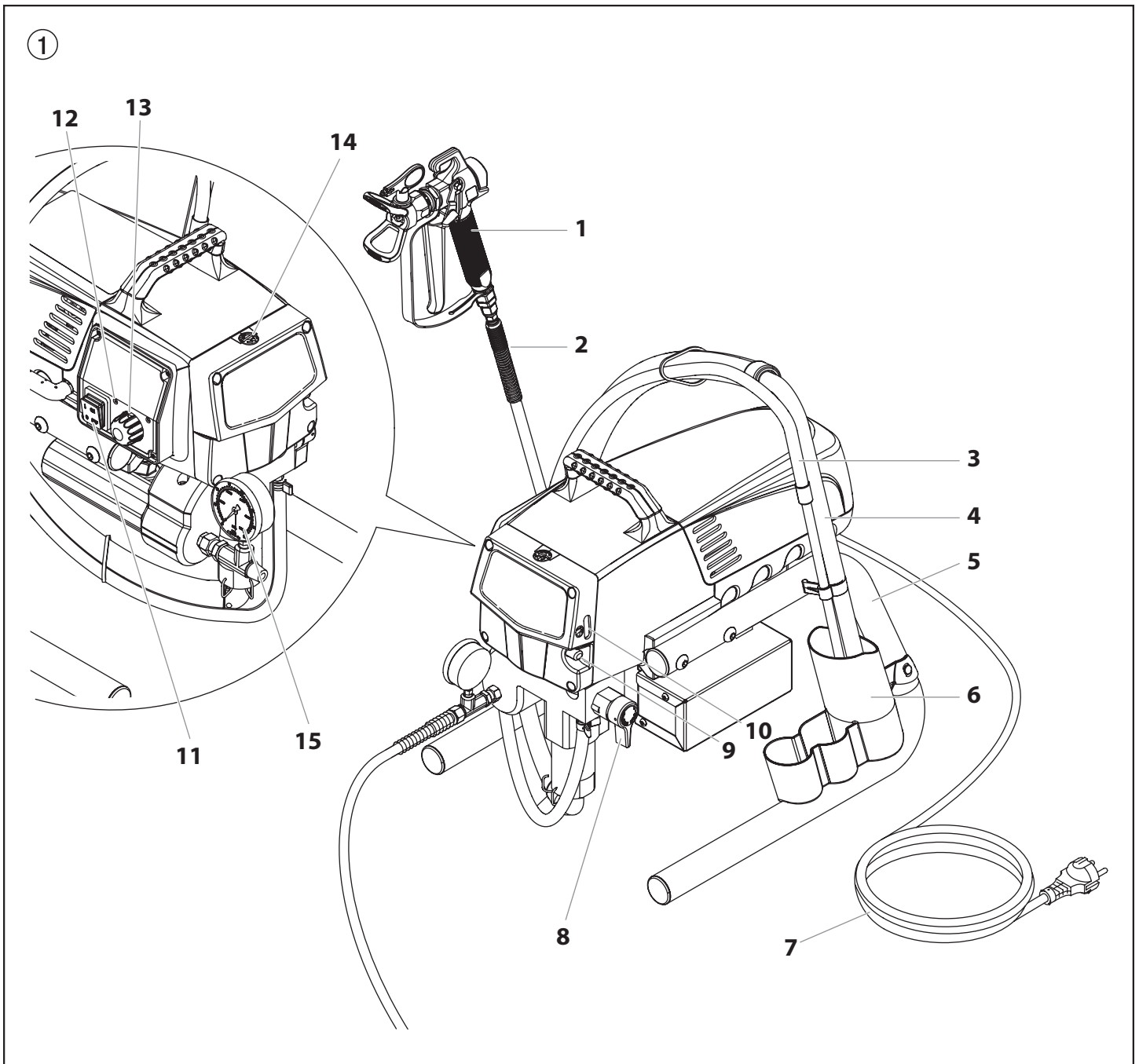
The coating material flows under high pressure through the high-pressure hose to the spray gun. When the coating material exits from the tip it atomizes.

The pressure regulator controls the volume and the operating pressure of the coating material.

3.3 Legend for explanatory diagram Performance Series 560e

- | | |
|----------------------|---|
| 1 Spray gun | 9 Oil button |
| 2 High-pressure hose | 10 Oil level gauge |
| 3 Return hose | 11 ON/OFF switch |
| 4 Suction hose | 12 Control panel indicators |
| 5 Frame | 13 Pressure control knob |
| 6 Drip cup | 14 Oil cap for Piston Lube
(Piston Lube prevents increased wear of the packings) |
| 7 Power cord | 15 Manometer |
- Lever position vertical – PRIME (↻ circulation)
Lever position horizontal – SPRAY (↔)

3.4 Explanatory diagram Performance Series 560e



3.5 Technical data

Voltage	220~240 VAC, 50/60 Hz or 100~120 VAC, 50/60 Hz
Max. current consumption	
220~240 VAC	4.5 A
100~120 VAC	12 A
Power Cord	See page 70
Acceptance capacity	1035 Watt
Max. operating pressure	221 bar (22.1 MPa, 3200 PSI)
Volume flow at 12 MPa (120 bar) with water	2.0 l/min
Max tip size	0.023 inch – 0.58 mm
Max. temperature of the coating material	43°C
Max viscosity	20.000 MPa·s
Weight	17.9 kg
Special high-pressure hose	DN 6 mm, 15 m, connection thread M 16 x 1.5
Altitude	This equipment will operate correctly up to 2000 m above mean sea level
Dimensions (L X W X H)	437 x 363 x 416 mm
Vibration	Spray gun does not exceed 2.5m/s ²
Max sound pressure level	80 dB*

* Place of measuring: 1 m in distance from the unit and 1.6 m above the floor, 12 MPa (120 bar) operating pressure, reverberant floor.

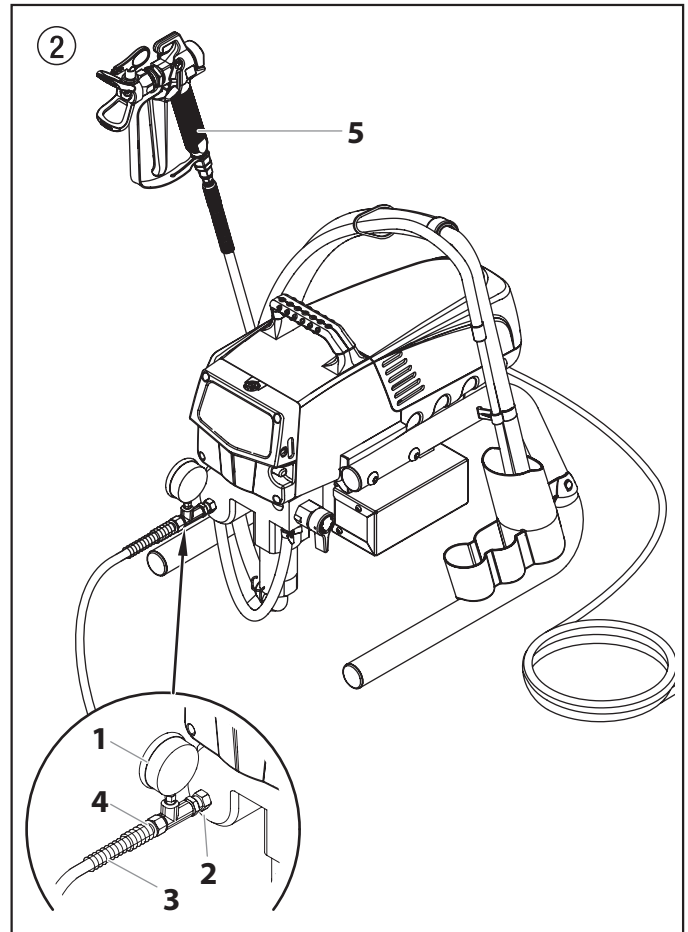
3.6 Transportation in vehicle

Secure the unit with a suitable fastening.

4. Starting operation

4.1 High-pressure hose, spray gun and separating oil

1. Screw the pressure gauge (1) to the coating material outlet (Fig. 2, Item 2).
2. Screw the high-pressure hose (3) to the coating material outlet on the pressure gauge (Fig. 2, Item 4).
3. Screw the spray gun (5) with the selected tip onto the high-pressure hose.
4. Tighten the union nuts at the high-pressure hoses firmly so that coating material does not leak.



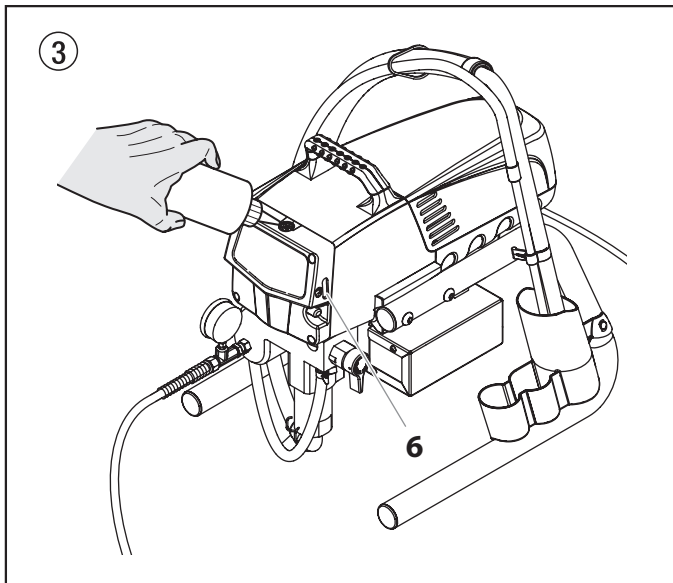
5. Remove the oil cup cap with a straight-slot screwdriver.
6. Fill the oil cup with Piston Lube (Fig. 3) until the oil gauge (6) is showing that it is full.



Attention

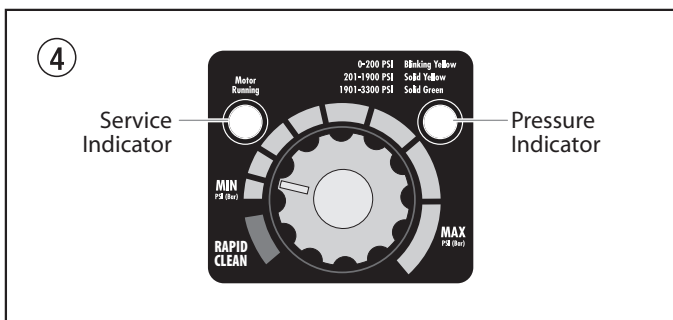
Piston Lube prevents increased wear and tear to the packings.

7. Replace oil cup cap.
8. Press oil button 2-5 times to prime the oiler. Press once for every eight hours of usage to lubricate the fluid section.



4.2 Control Panel Indicators

The following is a description of the control panel indicators.



Pressure Indicator

The pressure indicator shows the current operating pressure of the sprayer. It has three different indications: blinking yellow, solid yellow, and solid green.

Blinking Yellow

When the pressure indicator is blinking yellow, the sprayer is operating between 0 and 200 PSI (0 and 1.4 MPa [14 bar]). A blinking yellow pressure indicator means:

- The sprayer is plugged in and turned "ON"
- The sprayer is at priming pressure (little or no pressure)
- It is safe to move the relief valve between positions
- It is safe to change or replace the spray tip



If the pressure indicator begins blinking yellow when the pressure control knob is set at a higher pressure and the relief valve is in the SPRAY position, either the spray tip is worn or the sprayer is in need of service/repair.

Solid Yellow

When the pressure indicator is solid yellow, the sprayer is operating between 201 PSI (1.4 MPa, 14 bar) and 1900 PSI (12 MPa, 120 bar). A solid yellow pressure indicator means:

- The sprayer is at the proper pressure setting for spraying stain, lacquer, varnish, and multi-colors

Solid Green

When the pressure indicator is solid green, the sprayer is operating between 1901 (12 MPa, 120 bar) and 3300 PSI (23 MPa, 230 bar). A solid green pressure indicator means:

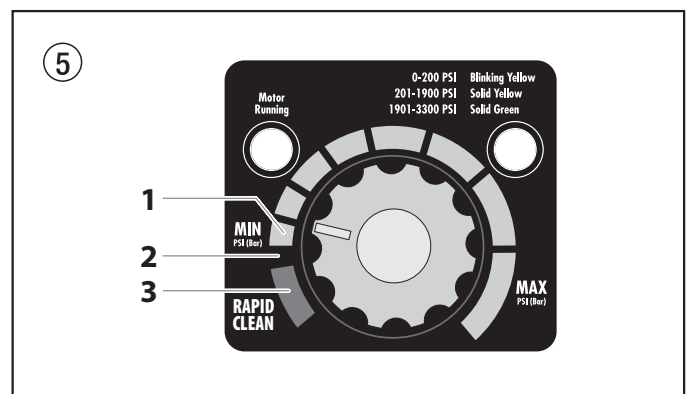
- The sprayer is at the proper pressure setting for spraying oil-based and latex house paints
- The sprayer is operating at peak performance at a high pressure setting
- If the pressure indicator goes to solid yellow when the pressure is set so that it starts at solid green, it indicates one of the following:
 - a. **Tip Wear Indicator** — when spraying with latex or at high pressure the solid yellow appears. This means the tip is worn and needs to be replaced.
 - b. **Tip Too Large** — when a tip that is too large for the sprayer is put in the gun, the pressure indicator will turn from solid green to solid yellow.
 - c. **Fluid Section Wear** — if a solid yellow pressure indicator appears when using a new tip and the pressure is set at maximum, service may be required (worn packings, worn piston, stuck valve, etc...).

Service Indicator

The Service indicator is on when the motor is commanded to run. This indicator is used by service centers to troubleshoot motor problems.

4.3 Pressure control knob settings (Fig. 5)

1. Minimum pressure setting
2. Black zone – no pressure generation
3. Blue zone – pulsating pressure for cleaning



4.4 Connection to the mains network



Attention

The unit must be connected to an appropriately-grounded safety outlet.

Before connecting the unit to the mains supply, ensure that the line voltage matches that specified on the unit's rating plate.

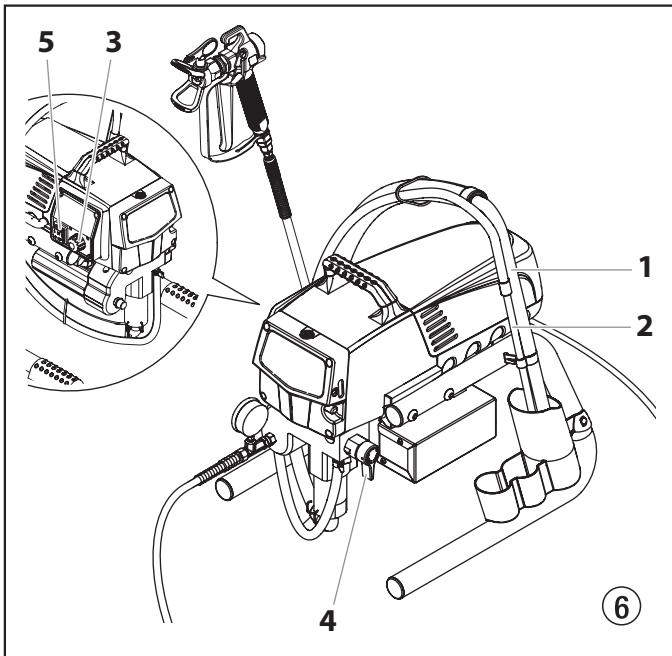
The connection must be equipped with a residual current protective device with INF ≤ 30 mA.



Titan's accessories program also includes a mobile operator protection device for the electronic supply, which can also be used with other electrical equipment.

4.5 Cleaning preserving agent when starting-up of operation initially

1. Immerse the suction tube (Fig. 6, Item 1) and return hose (2) into a container with a suitable cleaning agent.
2. Turn the pressure control knob counterclockwise (3) to minimum pressure.
3. Open the relief valve (4), valve position PRIME (↻ circulation).
4. Switch the unit (5) ON.
5. Wait until the cleaning agent exudes from the return hose.
6. Close the relief valve, valve position SPRAY (➤ spray).
7. Pull the trigger of the spray gun.
8. Spray the cleaning agent from the unit into an open collecting container.



4.6 Taking the unit into operation with coating material

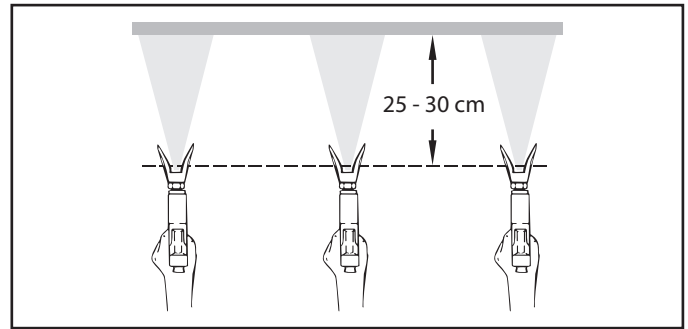
1. Immerse the suction tube (Fig. 6, Item 1) and return hose (2) into the coating material container.
2. Turn the pressure control knob counterclockwise (3) to minimum pressure.
3. Open the relief valve (4), valve position PRIME (↻ circulation).
4. Switch the unit (5) ON.
5. Wait until the coating material exudes from the return hose.
6. Close the relief valve, valve position SPRAY (➤ spray).
7. Trigger the spray gun several times and spray into a collecting container until the coating material exits the spray gun without interruption.
8. Increase the pressure by slowly turning up the pressure control knob.
Check the spray pattern and increase the pressure until the atomization is correct.
Always turn the pressure control knob to the lowest setting with good atomization.
9. The unit is ready to spray.

5. Spraying technique

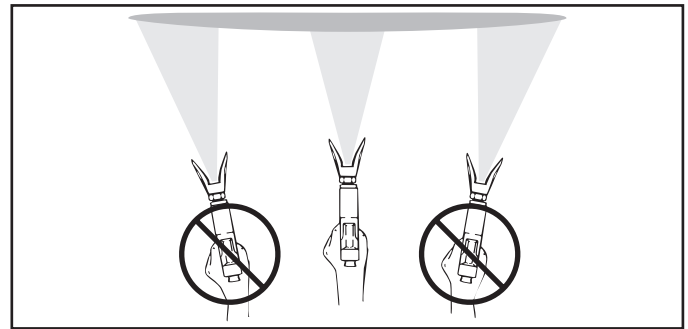


Injection hazard. Do not spray without the tip guard in place. NEVER trigger the gun unless the tip is completely turned to either the spray or the unclog position. ALWAYS engage the gun trigger lock before removing, replacing or cleaning tip.

The key to a good paint job is an even coating over the entire surface. Keep your arm moving at a constant speed and keep the spray gun at a constant distance from the surface. The best spraying distance is 25 to 30 cm between the spray tip and the surface.

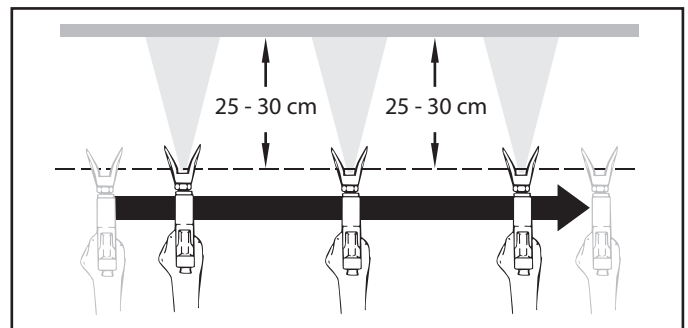


Keep the spray gun at right angles to the surface. This means moving your entire arm back and forth rather than just flexing your wrist.



Keep the spray gun perpendicular to the surface, otherwise one end of the pattern will be thicker than the other.

Trigger gun after starting the stroke. Release the trigger before ending the stroke. The spray gun should be moving when the trigger is pulled and released. Overlap each stroke by about 30%. This will ensure an even coating.



If very sharp edges result or if there are streaks in the spray jet – increase the operating pressure or dilute the coating material.

6. Handling the high-pressure hose

The unit is equipped with a high-pressure hose specially suited for piston pumps.



Danger of injury through leaking high-pressure hose. Replace any damaged high-pressure hose immediately.

Never repair defective high-pressure hoses yourself!

The high-pressure hose is to be handled with care. Avoid sharp bends and folds: the smallest bending radius is about 20 cm.

Do not drive over the high-pressure hose. Protect against sharp objects and edges.

Never pull on the high-pressure hose to move the device.

Make sure that the high-pressure hose cannot twist. This can be avoided by using a Titan spray gun with a swivel joint and a hose system.



When using the high-pressure hose while working on scaffolding, it is best to always guide the hose along the outside of the scaffolding.



The risk of damage rises with the age of the high-pressure hose. Titan recommends replacing high-pressure hoses after 6 years.



Use only Titan original-high-pressure hoses in order to ensure functionality, safety and durability.

7. Interruption of work

1. Open the relief valve, valve position PRIME (↻ circulation).
2. Switch the unit OFF.
3. Turn the pressure control knob counterclockwise to minimum pressure.
4. Pull the trigger of the spray gun in order to release the pressure from the high-pressure hose and spray gun.
5. Secure the spray gun, refer to the operating manual of the spray gun.
6. If a standard tip is to be cleaned, see Page 18, Section 12.2. If a non-standard tip is installed, proceed according to the relevant operating manual.
7. Depending on the model, leave the suction tube or the suction hose and return hose immersed in the coating material or swivel or immerse it into a corresponding cleaning agent.



Attention

If fast-drying or two-component coating material is used, ensure that the unit is rinsed with a suitable cleaning agent within the processing time.

8. Cleaning the unit (shutting down)

A clean state is the best method of ensuring operation without problems. After you have finished spraying, clean the unit. Under no circumstances may any remaining coating material dry and harden in the unit.

The cleaning agent used for cleaning (only with an ignition point above 38 °C) must be suitable for the coating material used.

- **Secure the spray gun**, refer to the operating manual of the spray gun.

Clean and remove tip.

For a standard tip, refer to Page 18, Section 12.2.

If a non-standard tip is installed, proceed according to the relevant operating manual.

1. Remove suction hose from the coating material.
2. Close the relief valve, valve position SPRAY (↗ spray).
3. Switch the unit ON.
4. Pull the trigger of the spray gun in order to pump the remaining coating material from the suction hose, high-pressure hose and the spray gun into an open container.



Attention

The container must be earthed in case of coating materials which contain solvents.



Caution! Do not pump or spray into a container with a small opening (bunghole)! Refer to the safety regulations.

5. Immerse suction hose with return hose into a container with a suitable cleaning agent.
6. Turn the pressure control knob into the blue zone - pulsating pressure for unit cleaning.
7. Open the relief valve, valve position PRIME (↻ circulation).
8. Pump a suitable cleaning agent in the circuit for a few minutes.
9. Close the relief valve, valve position SPRAY (↗ spray).
10. Pull the trigger of the spray gun.
11. Pump the remaining cleaning agent into an open container until the unit is empty.
12. Switch the unit OFF.

8.1 Cleaning unit from outside



Attention

First of all pull out mains plug from socket.



Attention

Danger of short circuit through penetrating water! Never spray down the unit with high-pressure or high-pressure steam cleaners.



Attention

Do not put the high-pressure hose into solvents. Use only a wet cloth to wipe down the outside of the hose.

Wipe down unit externally with a cloth which has been immersed in a suitable cleaning agent.

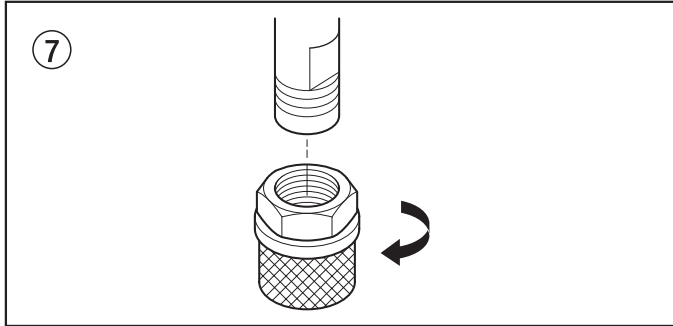
8.2 Suction filter



A clean suction filter always guarantees maximum feed quantity, constant spraying pressure and problem-free functioning of the unit.

1. Screw off the filter (Fig. 7) from suction pipe.
2. Clean or replace the filter.

Carry out cleaning with a hard brush and an appropriate cleaning agent.



8.3 Cleaning the high-pressure filter

Clean the filter cartridge regularly.

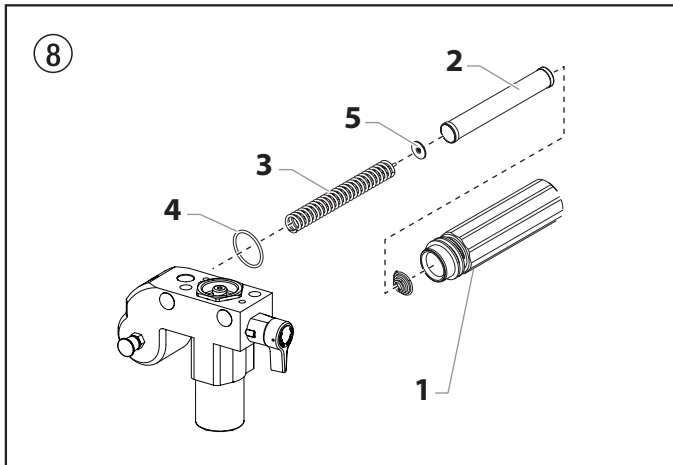
A soiled or clogged high-pressure filter can cause a poor spray pattern or a clogged tip.

1. Turn the pressure control knob counterclockwise to minimum pressure.
2. Open the relief valve, valve position PRIME (↻ circulation).
3. Switch the unit OFF.



Unplug the power plug from the outlet.

4. Unscrew the filter housing (Fig. 8, Item 1). with a strap wrench.
5. Pull the filter cartridge (2) from the bearing spring (3).
6. Clean all the parts with the corresponding cleaning agent. If necessary, replace the filter cartridge.
7. Check the O-ring (4), replace it if necessary.
8. Place the bearing ring (5) against the bearing spring (3). Slide the filter cartridge (2) over the bearing spring.
9. Screw in filter housing (1) and tighten it as far as possible with the strap wrench.



8.4 Cleaning Airless spray gun

1. Rinse Airless spray gun with an appropriate cleaning agent.
2. Clean tip thoroughly with appropriate cleaning agent so that no coating material residue remains.
3. Thoroughly clean the outside of the Airless spray gun.

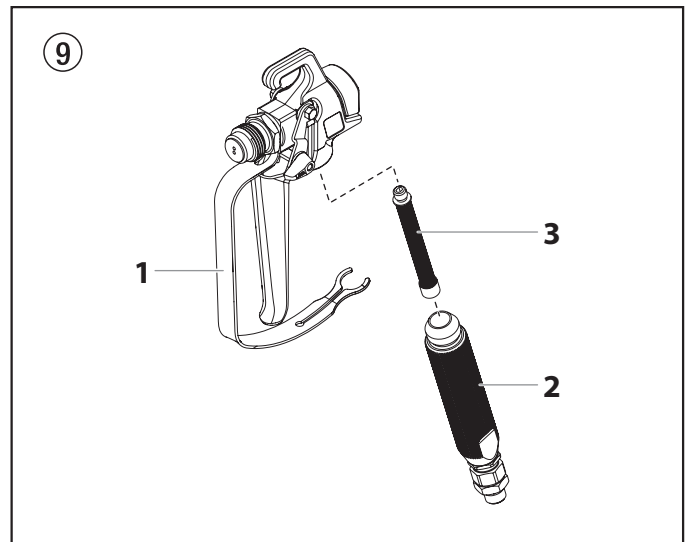
Intake filter in Airless spray gun (Fig. 9)

Disassembly

1. Pull protective guard (1) forward vigorously.
2. Screw grip (2) out of the gun housing. Remove intake filter (3).
3. Intake filter congested or defective – replace.

Assembly

1. Place intake filter (3) with the long cone into the gun housing.
2. Screw in grip (2) into the gun housing and tighten.
3. Slot in protective guard (1).



9. Remedy in case of faults

Type of malfunction	Possible cause	Measures for eliminating the malfunction
A. Unit does not start	<ol style="list-style-type: none"> No voltage applied. Pressure setting too low. ON/OFF switch defective. 	<ol style="list-style-type: none"> Check voltage supply. Turn up pressure control knob. Replace.
B. Unit does not draw in material	<ol style="list-style-type: none"> Relief valve is set to SPRAY (☞ spray). Filter projects over the fluid level and sucks air. Filter clogged. Suction hose/suction tube is loose, i.e. the unit is sucking in outside air. 	<ol style="list-style-type: none"> Set relief valve to PRIME (☞ circulation). Refill the coating material. Clean or replace the filter. Clean connecting points. Replace O-rings if necessary. Secure suction hose with retaining clip.
C. Unit draws in material, but the pressure does not build up	<ol style="list-style-type: none"> Tip heavily worn. Tip too large. Pressure setting too low. Filter clogged. Coating material flows through the return hose when the relief valve is in the SPRAY (☞ spray) position. Packings sticky or worn. Valve balls worn. Valve seats worn. 	<ol style="list-style-type: none"> Replace For selection of a smaller tip, see Tip table. Turn pressure control knob clockwise to increase. Clean or replace the filter. Remove and clean or replace relief valve. Remove and clean or replace packings. Remove and replace valve balls. Remove and replace valve seats.
D. Coating material exits at the top of the fluid section	<ol style="list-style-type: none"> Upper packing is worn. Piston is worn. 	<ol style="list-style-type: none"> Remove and replace packing. Remove and replace piston.
E. Increased pulsation at the spray gun	<ol style="list-style-type: none"> Incorrect high-pressure hose type. Tip worn or too large. Pressure too high. 	<ol style="list-style-type: none"> Only use Titan original-high-pressure hoses in order to ensure functionality, safety and durability. Replace tip. Turn pressure control knob to a lower number.
F. Poor spray pattern	<ol style="list-style-type: none"> Tip is too large for the coating material which is to be sprayed. Pressure setting incorrect. Volume too low. Coating material viscosity too high. 	<ol style="list-style-type: none"> Replace tip, see Tip table. Turn pressure control knob until a satisfactory spraying pattern is achieved. Clean or replace all filters. Thin out according to the manufacturer's instructions.
G. Unit loses power	<ol style="list-style-type: none"> Pressure setting too low. 	<ol style="list-style-type: none"> Turn pressure control knob clockwise to increase.

10. Servicing

10.1 General servicing

Servicing of the unit should be carried out once annually by the Titan service.

1. Check high-pressure hoses, device connecting line and plug for damage.
2. Check the inlet valve, outlet valve and filter for wear.

10.2 High-pressure hose

Inspect the high-pressure hose visually for any notches or bulges, in particular at the transition in the fittings. It must be possible to turn the union nuts freely.



The risk of damage rises with the age of the high-pressure hose. Titan recommends replacing high-pressure hoses after 6 years.

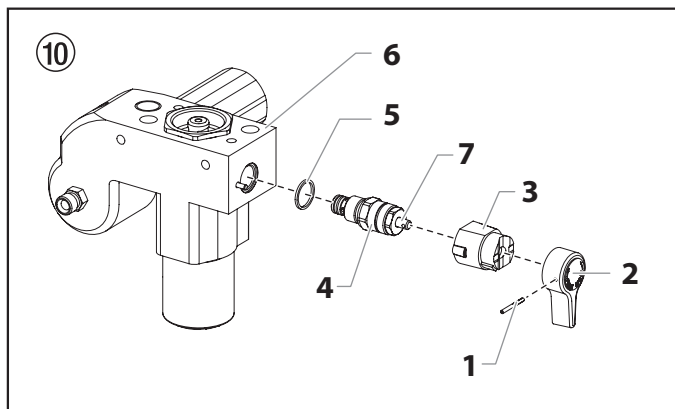
11. Repairs at the unit



Switch the unit OFF.
Before all repair work: Unplug the power plug from the outlet.

11.1 Relief valve

1. Use a drift punch of 2 mm to remove the grooved pin (Fig. 10, Item 1) from the relief valve handle (2).
2. Remove the relief valve handle (2) and cam base (3).
3. Using a wrench, remove the valve housing (4) from the pump manifold (6).
4. Ensure that the seal (5) is seated correctly, then screw the new valve housing (4) completely into the pump manifold (6). Tighten securely with a wrench.
5. Align the cam base (3) with the hole in the pump manifold (6). Lubricate the cam base with grease and slide on the cam base.
6. Bring the hole in the valve shaft (7) and in the relief valve handle (2) into alignment.
7. Insert the grooved pin (1) to secure the relief valve handle in position.



11.2 Inlet and outlet valve

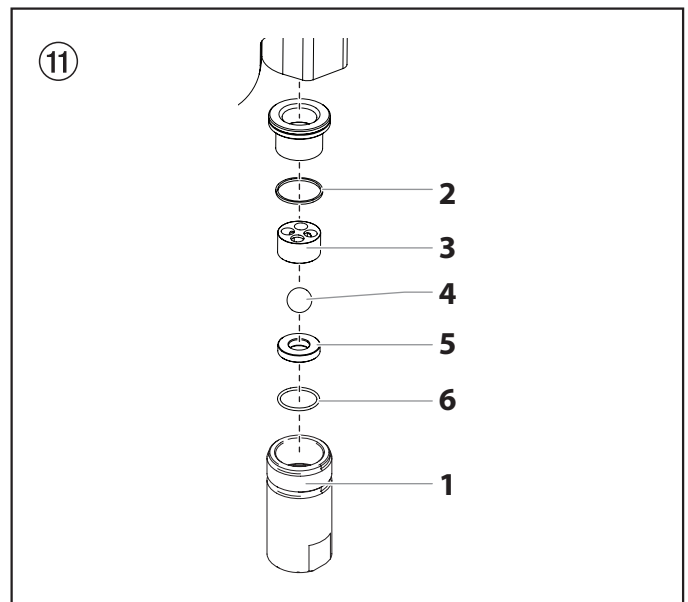
1. Remove the four screws in the front cover and then remove the front cover.
2. Switch the unit ON and then OFF so that the piston rod is positioned in the lower stroke position.



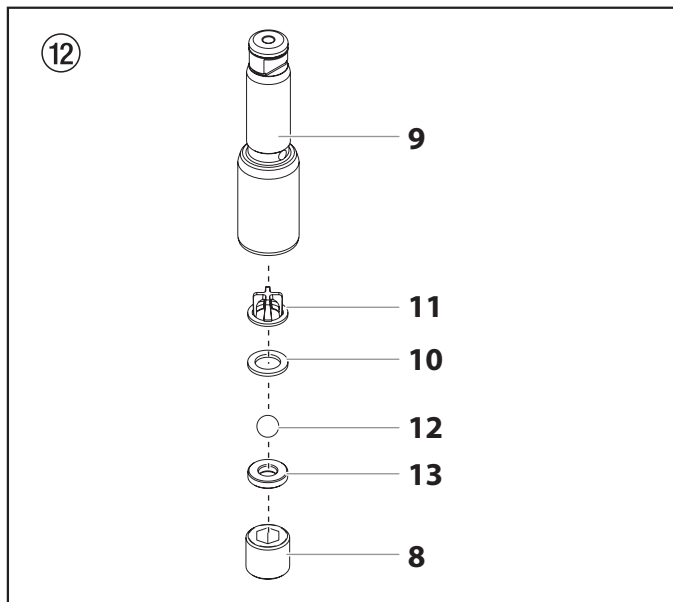
Danger of crushing - do not reach with the fingers or tool between the moving parts.

3. Unplug the power plug from the outlet.
4. Remove the retaining clip from the connecting bend at the suction hose and pull off the suction hose.
5. Screw off the return hose.
6. Swivel the unit 90° to the rear in order to work more easily on the material feed pump.
7. Unscrew the inlet valve housing (Fig. 11, Item 1) from the pump manifold.
8. Remove the lower seal (2), lower ball guide (3), inlet valve ball (4), inlet valve seat (5) and O-ring (6).
9. Clean all the parts with the corresponding cleaning agent.

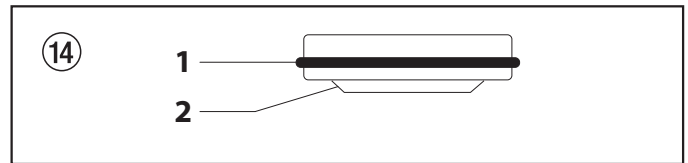
Check the inlet valve housing (1), inlet valve seat (5) and inlet valve ball (4) for wear and replace the parts if necessary. If the worn inlet valve seat (5) is unused on one side, install it the other way round.



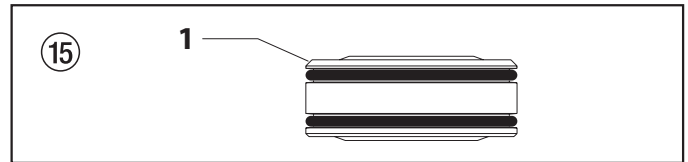
10. Unscrew outlet valve housing (Fig. 12, Item 8) from the piston (9) with adjusting wrench.
11. Remove the upper ball cage (11), crush washer (10), outlet valve ball (12), and outlet valve seat (13).
12. Clean all the parts with the corresponding cleaning agent. Check outlet valve housing (8), outlet valve seat (13), outlet valve ball (12), crush washer (10), and upper ball cage (11) for wear and replace parts if necessary. If the worn outlet valve seat (13) is unused on one side, install it the other way round.
13. Carry out installation in the reverse order. Lubricate O-ring (Fig. 11, Item 6) with machine grease and ensure proper seating in the inlet valve housing (Fig. 11, Item 1).



8. Clean pump manifold (2).
9. Lubricate upper packing (7) and lower packing (8) with machine grease.
10. Insert upper packing (Fig. 14) with O-ring (1) and protruding lip (2) downward.



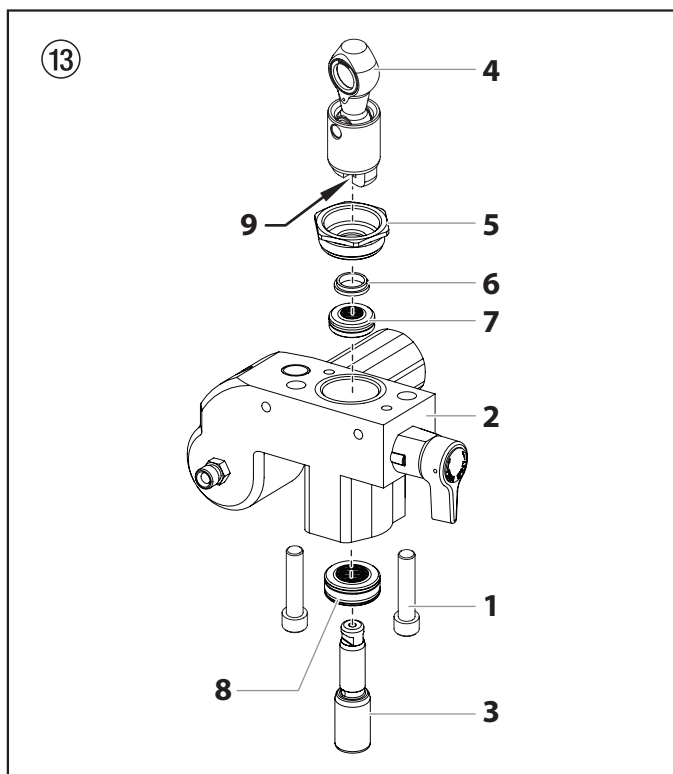
11. Insert lower packing (Fig. 15) with the beveled edge (1) facing upward.



12. Insert piston guide (Fig. 13, Item 6) into the retainer nut (5). Screw retainer nut (5) into the pump manifold (2) and tighten by hand.
13. Push installation tool (included with the replacement packings) for the piston (3) from above onto the piston.
14. Lubricate installation tool and piston (3) with machine grease.
15. Guide piston (3) through the lower packings (8) into the pump manifold (2) from below. Using a rubber mallet, lightly tap the piston (3) from below until it can be seen above the pump manifold.
16. Remove installation tool from piston (3).
17. Carefully tighten retainer nut (5) with adjusting wrench.
18. Slide the top of the piston (3) into the T-slot (9) on the slider assembly (4).
19. Position the pump manifold (2) underneath the gear unit housing and push up until it rests against the gear unit housing.
20. Attach pump manifold (2) to the gear unit housing.
21. Screw pump manifold (2) tightly to gear unit housing.
22. Lubricate O-ring (Fig. 11, Item 6) between pump manifold (2) and inlet valve housing with machine grease. Screw inlet valve housing to the pump manifold.
23. Insert the elbow on the siphon assembly into the bottom of the pusher stem housing. Push the retaining clip up into the groove inside the foot valve housing to secure the siphon assembly in position. Place the return tube over the return tube fitting and secure with the clip.
24. Install front cover.

11.3 Packings

1. Remove inlet valve housing in accordance with the steps in Chapter 11.2, Page 14.
2. It is not necessary to remove the outlet valve.
3. Unscrew both cylinder head screws (Fig. 13, Item 1) from the pump manifold (2) with a 3/8 inch hexagon socket head wrench.
4. Slide the pump manifold (2) and piston (3) forward until the piston is out of the T-slot (9) on the slider assembly (4).
5. Push piston (3) downward out of the pump manifold (2).
6. Unscrew retainer nut (5) from the pump manifold (2) and remove piston guide (6).
7. Remove upper packing (7) and lower packing (8) from the pump manifold (2).



11.4 Replacing the motor assembly

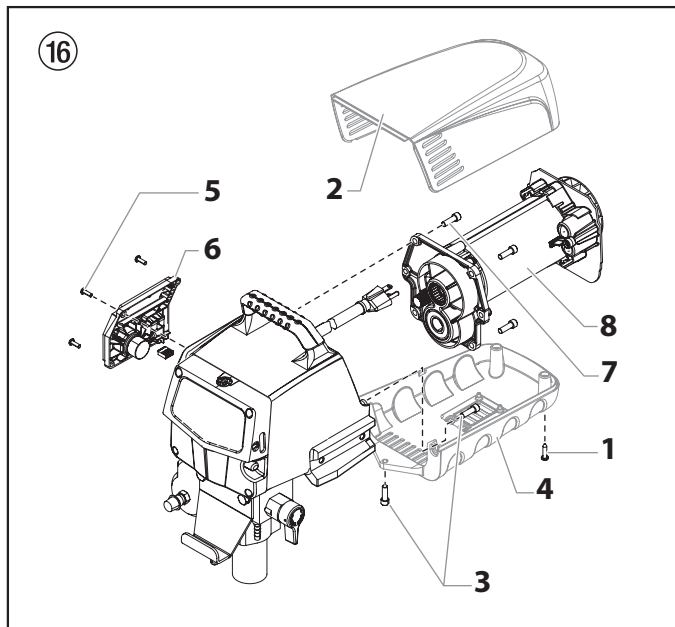
1. Open the relief valve, valve position PRIME (↻ circulation), switch the unit OFF, and unplug the power cord.
2. Loosen and remove the two motor cover screws (1). Remove the motor cover (2).
3. Loosen and remove the three belly pan screws (3). Remove the belly pan (4).
4. On the back of the motor, disconnect the wire coming from the potentiometer and the wire coming from the transducer. Also, disconnect the two wires coming from the control panel board (refer to the electrical schematic, section 11.7).
5. Remove the four control panel mounting screws (5). Pull back the control panel (6) for access to the control panel board.
6. At the the control panel board, disconnect the two wires coming from the motor (refer to the electrical schematic, section 11.7).
7. Loosen and remove the four motor mounting screws (7).
8. Pull the motor (8) out of the pump housing.



If the motor will not dislodge from the pump housing:

- Remove the front cover plate.
- Using a rubber mallet, carefully tap on the front of the motor crankshaft that extends through the slider assembly.

9. With the motor removed, inspect the gears in the pump housing for damage or excessive wear. Replace the gears, if necessary.
10. Install the new motor (8) into the pump housing.
11. Secure the motor with the four motor mounting screws (7).
12. Reconnect the wires (refer to the electrical schematic, section 11.7).
13. Position the control panel (6) on the pump housing and secure in position using the four control panel mounting screws (5).
14. Replace the belly pan (4). Secure with the three belly pan screws (3).
15. Slide the motor cover over the motor (2). Secure the motor cover with the two motor cover screws (1).



11.5 Replacing the Gears

1. Open the relief valve, valve position PRIME (↻ circulation), switch the unit OFF, and unplug the power cord.
2. Loosen and remove the two motor cover screws (1). Remove the motor cover (2).
3. Loosen and remove the three belly pan screws (3). Remove the belly pan (4).
4. On the back of the motor, disconnect the wire coming from the potentiometer and the wire coming from the transducer. Also, disconnect the two wires coming from the control panel board (refer to the electrical schematic, section 11.7).
5. Remove the four control panel mounting screws (5). Pull back the control panel (6) for access to the control panel board.
6. At the the control panel board, disconnect the two wires coming from the motor (refer to the electrical schematic, section 11.7).
7. Loosen and remove the four motor mounting screws (7).
8. Pull the motor (8) out of the pump housing.



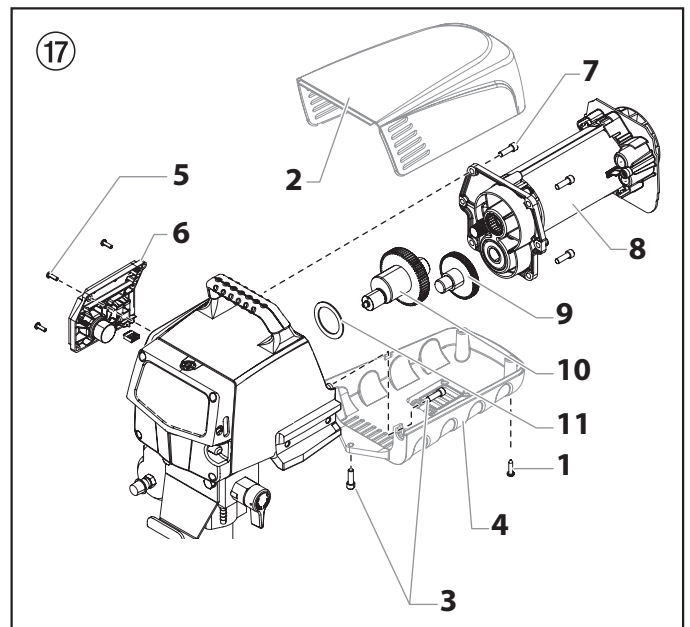
If the motor will not dislodge from the pump housing:

- Remove the front cover plate.
- Using a rubber mallet, carefully tap on the front of the motor crankshaft that extends through the slider assembly.

9. Inspect the armature gear on the end of the motor for damage or excessive wear. If this gear is completely worn out, replace the entire motor.
10. Remove and inspect the 2nd stage gear (9) for damage or excessive wear. Replace if necessary.
11. Remove and inspect the gear and crank assembly (10) for damage or excessive wear. Replace if necessary.
12. Reassemble the pump by reversing the above steps. During reassembly, make sure the thrust washer (11) is in place.



Refill the gear box in the pump housing with five ounces of Lubriplate (P/N 314-171).



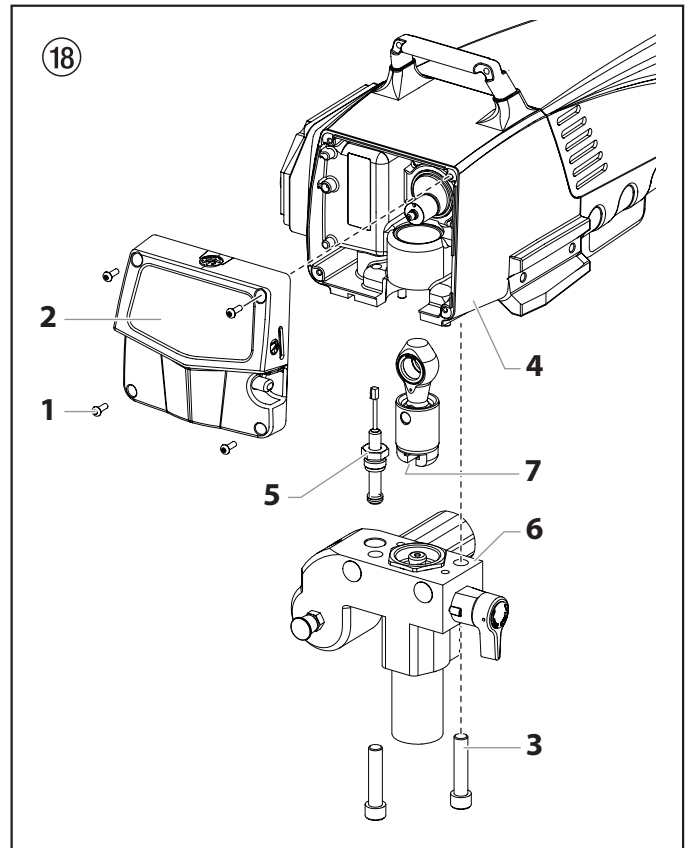
11.6 Replacing the Transducer

1. Loosen and remove the four front cover screws (1). Remove the front cover (2).
2. Stop the sprayer at the bottom of its stroke so that the piston is in its lowest position.
3. Open the relief valve, valve position PRIME (↻ circulation), switch the unit OFF, and unplug the power cord.

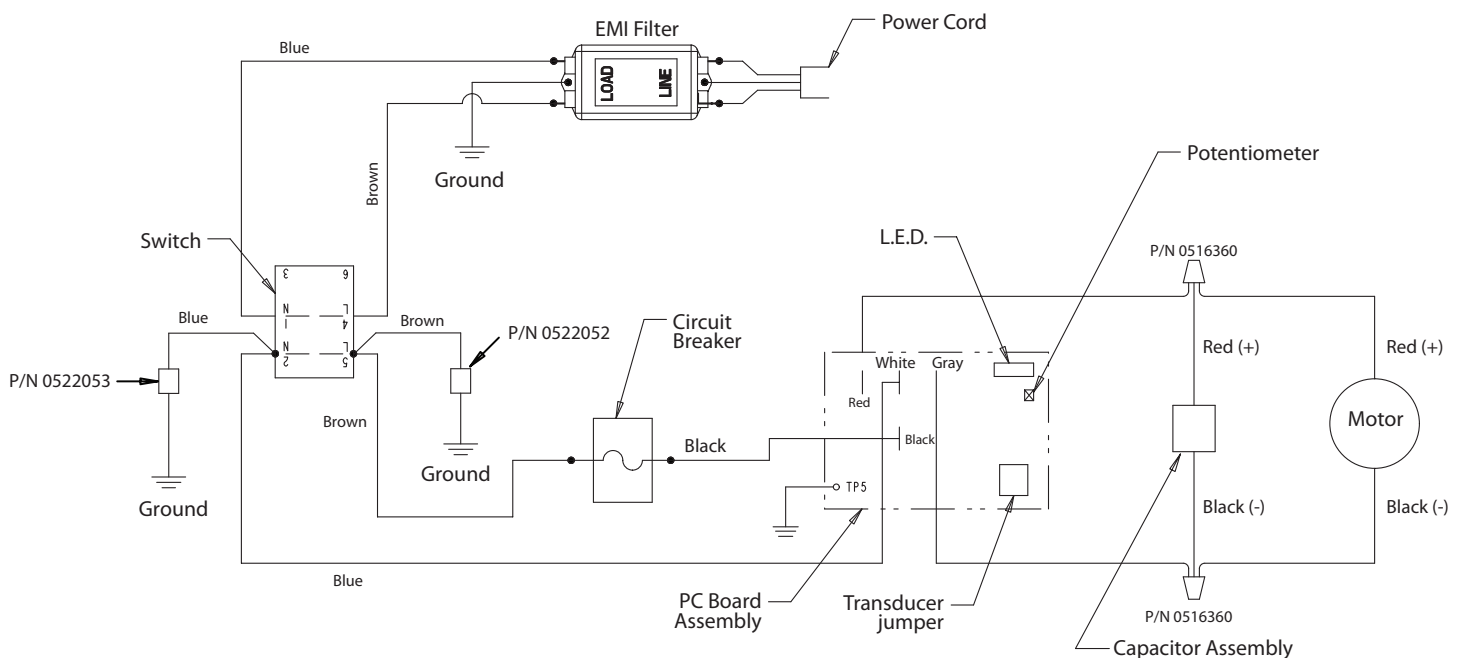


Before proceeding, make sure all pressure has been relieved from the system (see step 3, above). Additionally, follow all other warnings to reduce the risk of an injection injury, injury from moving parts or electric shock. Always unplug the sprayer before servicing!

4. Tilt the pump back for easy access to the fluid section.
5. Using a 3/8" hex wrench, loosen and remove the two pump block mounting screws (3).
6. Pull the pump block down approximately 1/2" from the pump housing (4) to clear the transducer (5).
7. Slide the pump block (6) and piston rod forward until the piston rod is out of the T-slot (7) on the slider assembly.
8. Carefully pull the transducer wire out of the pump housing until the connection to the transducer jumper is exposed. Unplug the wire from the transducer jumper (refer to the electrical schematic in the section 11.7).
9. Using a wrench, remove the transducer assembly (5) from the pump block (6).
10. Thread the new transducer assembly into the pump block. Tighten securely with a wrench.
11. Plug the new transducer wire into the transducer jumper (refer to the electrical schematic in the section 11.7).
12. Reassemble the pump by reversing steps 1–7.



11.7 Performance Series 560e connection diagram



12.4 Airless tip table



Titan SC6+ tip
up to 270 bar
(27 MPa)



without tip
G thread (7/8 - 14 UN)
for Graco/Titan spray guns
Order no. 0289228



All of the tips in the table below are supplied together with the appropriate gun filter.

Application	Tip marking	Spray angle	Bore inch / mm	Spraying width mm 1)	Gun filter	Order no.
Water-thinnable and solvent-based paints and varnishes, oils, separating agents	107	10°	0.007 / 0.18	100	red	662-107
	207	20°	0.007 / 0.18	120	red	662-207
	307	30°	0.007 / 0.18	150	red	662-307
	407	40°	0.007 / 0.18	190	red	662-407
	109	10°	0.009 / 0.23	100	red	662-109
	209	20°	0.009 / 0.23	120	red	662-209
	309	30°	0.009 / 0.23	150	red	662-309
	409	40°	0.009 / 0.23	190	red	662-409
	509	50°	0.009 / 0.23	225	red	662-509
	609	60°	0.009 / 0.23	270	red	662-609
Synthetic-resin paints PVC paints	111	10°	0.011 / 0.28	100	red	662-111
	211	20°	0.011 / 0.28	120	red	662-211
	311	30°	0.011 / 0.28	150	red	662-311
	411	40°	0.011 / 0.28	190	red	662-411
	511	50°	0.011 / 0.28	225	red	662-511
	611	60°	0.011 / 0.28	270	red	662-611
Paints, primers Fillers	113	10°	0.013 / 0.33	100	red	662-113
	213	20°	0.013 / 0.33	120	red	662-213
	313	30°	0.013 / 0.33	150	red	662-313
	413	40°	0.013 / 0.33	190	red	662-413
	513	50°	0.013 / 0.33	225	red	662-513
	613	60°	0.013 / 0.33	270	red	662-613
Fillers Rust protection paints	115	10°	0.015 / 0.38	100	yellow	662-115
	215	20°	0.015 / 0.38	120	yellow	662-215
	315	30°	0.015 / 0.38	150	yellow	662-315
	415	40°	0.015 / 0.38	190	yellow	662-415
	515	50°	0.015 / 0.38	225	yellow	662-515
	615	60°	0.015 / 0.38	270	yellow	662-615
Rust protection paints Latex paints Dispersions	117	10°	0.017 / 0.43	100	yellow	662-117
	217	20°	0.017 / 0.43	120	yellow	662-217
	317	30°	0.017 / 0.43	150	yellow	662-317
	417	40°	0.017 / 0.43	190	yellow	662-417
	517	50°	0.017 / 0.43	225	yellow	662-517
	617	60°	0.017 / 0.43	270	yellow	662-617
Rust protection paints Latex paints Dispersions	219	20°	0.019 / 0.48	120	white	662-219
	319	30°	0.019 / 0.48	150	white	662-319
	419	40°	0.019 / 0.48	190	white	662-419
	519	50°	0.019 / 0.48	225	white	662-519
	619	60°	0.019 / 0.48	270	white	662-619
	719	70°	0.019 / 0.48	300	white	662-719
Flame retardant	221	20°	0.021 / 0.53	120	white	662-221
	321	30°	0.021 / 0.53	150	white	662-321
	421	40°	0.021 / 0.53	190	white	662-421
	521	50°	0.021 / 0.53	225	white	662-521
	621	60°	0.021 / 0.53	270	white	662-621
	721	70°	0.021 / 0.53	300	white	662-721
	821	80°	0.021 / 0.53	330	white	662-821

1)Spray width at about 30 cm to the object and 100 bar (10 MPa) pressure with synthetic-resin paint 20 DIN seconds.

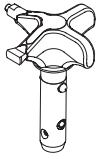


All of the tips in the table below are supplied together with the appropriate gun filter.

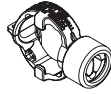
Application	Tip marking	Spray angle	Bore inch / mm	Spraying width mm 1)	Gun filter	Order no.
Roof coatings	223	20°	0.023 / 0.58	120	white	662-223
	323	30°	0.023 / 0.58	150	white	662-323
	423	40°	0.023 / 0.58	190	white	662-423
	523	50°	0.023 / 0.58	225	white	662-523
	623	60°	0.023 / 0.58	270	white	662-623
Thick-film materials, Corrosion protection Spray filler	225	20°	0.025 / 0.64	120	white	662-225
	325	30°	0.025 / 0.64	150	white	662-325
	425	40°	0.025 / 0.64	190	white	662-425
	525	50°	0.025 / 0.64	225	white	662-525
	625	60°	0.025 / 0.64	270	white	662-625
	227	20°	0.027 / 0.69	120	white	662-227
	327	30°	0.027 / 0.69	150	white	662-327
	427	40°	0.027 / 0.69	190	white	662-427
	527	50°	0.027 / 0.69	225	white	662-527
	627	60°	0.027 / 0.69	270	white	662-627
	229	20°	0.029 / 0.75	120	white	662-229
	329	30°	0.029 / 0.75	150	white	662-329
	429	40°	0.029 / 0.75	190	white	662-429
	529	50°	0.029 / 0.75	225	white	662-529
	629	60°	0.029 / 0.75	270	white	662-629
	231	20°	0.031 / 0.79	120	white	662-231
	331	30°	0.031 / 0.79	150	white	662-331
	431	40°	0.031 / 0.79	190	white	662-431
	531	50°	0.031 / 0.79	225	white	662-531
	631	60°	0.031 / 0.79	270	white	662-631
	731	70°	0.031 / 0.79	300	white	662-731
	831	80°	0.031 / 0.79	330	white	662-831
	233	20°	0.033 / 0.83	120	white	662-233
	333	30°	0.033 / 0.83	150	white	662-333
	433	40°	0.033 / 0.83	190	white	662-433
	533	50°	0.033 / 0.83	225	white	662-533
	633	60°	0.033 / 0.83	270	white	662-633
	235	20°	0.035 / 0.90	120	white	662-235
	335	30°	0.035 / 0.90	150	white	662-335
	435	40°	0.035 / 0.90	190	white	662-435
	535	50°	0.035 / 0.90	225	white	662-535
	635	60°	0.035 / 0.90	270	white	662-635
	735	70°	0.035 / 0.90	300	white	662-735
439	40°	0.039 / 0.99	190	white	662-439	
539	50°	0.039 / 0.99	225	white	662-539	
639	60°	0.039 / 0.99	270	white	662-639	
Heavy duty applications	443	40°	0.043 / 1.10	190	green	662-443
	543	50°	0.043 / 1.10	225	green	662-543
	643	60°	0.043 / 1.10	270	green	662-643
	445	40°	0.045 / 1.14	190	green	662-445
	545	50°	0.045 / 1.14	225	green	662-545
	645	60°	0.045 / 1.14	270	green	662-645
	451	40°	0.051 / 1.30	190	green	662-451
	551	50°	0.051 / 1.30	225	green	662-551
	651	60°	0.051 / 1.30	270	green	662-651
	455	40°	0.055 / 1.40	190	green	662-455
	555	50°	0.055 / 1.40	225	green	662-555
	655	60°	0.055 / 1.40	270	green	662-655

1) Spray width at about 30 cm to the object and 100 bar (10 MPa) pressure with synthetic-resin paint 20 DIN seconds.

12.5 TR² Tip table



The innovative changeover nozzle from Titan combines two nozzle cores into one nozzle.



TR² Tip holder

Order no. 0271065

Application	Tip marking (1 / 2)	Spray angle (1 / 2)	Bore 1 inch / mm	Bore 2 inch / mm	Spraying width 1 mm *	Spraying width 2 mm *	Gun filter	Order no.
Cabinets, Furniture and Decks	311/107	30°/10°	0.011 / 0.28	0.007 / 0.18	150	100	red	692-311
	313/109	30°/10°	0.013 / 0.33	0.009 / 0.23	150	100	red	692-313
Doors & Trim	415/111	40°/10°	0.015 / 0.38	0.011 / 0.28	190	100	yellow	692-415
	417/113	40°/10°	0.017 / 0.43	0.013 / 0.33	190	100	white	692-417
Exterior Latex or Oil	515/211	50°/20°	0.015 / 0.38	0.011 / 0.28	225	120	yellow	692-515
Exterior Latex	517/213	50°/20°	0.017 / 0.43	0.013 / 0.33	225	120	white	692-517
	519/213	50°/20°	0.019 / 0.48	0.013 / 0.33	225	120	white	692-519
	521/215	50°/20°	0.021 / 0.53	0.015 / 0.38	225	120	white	692-521
Blockfiller	535/223	50°/20°	0.035 / 0.90	0.023 / 0.58	225	120	green	692-535
	635/327	60°/30°	0.035 / 0.90	0.027 / 0.69	270	150	green	692-635
Diluted joint compound	627/321	60°/30°	0.027 / 0.69	0.021 / 0.53	270	150	green	692-627
	831/321	80°/30°	0.031 / 0.79	0.021 / 0.53	330	150	green	692-831
WideSpray Latex	1223/315	120°/30°	0.023 / 0.58	0.015 / 0.38	540	150	white	692-1223
	1231/317	120°/30°	0.031 / 0.79	0.017 / 0.43	540	150	white	692-1231
Firestop	525/331	50°/30°	0.035 / 0.90	0.031 / 0.79	225	150	green	692-525331

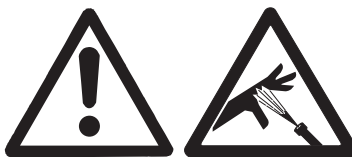
12.6 Additional accessories for 560e

Order no.	Description
580-050	LX-80 spray gun, hose and tip
580-100A	LX-80 II spray gun with 517 tip
316-505	1/4" x 50' airless hose
314-482	LS-10 Liquid Shield™, 1 quart
314-480	Piston Lube™, 8 oz. bottle
0508071	PaintMate, 1 quart

¡Advertencia!

¡Atención: Peligro de lesiones por inyección!

Los equipos Airless producen unas presiones de pulverización extremadamente altas.



1

¡Nunca poner en contacto con el chorro de pulverización ni los dedos, ni las manos ni otras partes del cuerpo!

No dirigir nunca la pistola de pulverización hacia sí mismo, en dirección a otras personas y a animales.

No utilizar jamás la pistola sin el protector contra contactos.

No trate una lesión por pulverización como una lesión de corte inocua. En caso de lesiones cutáneas por contacto con material de recubrimiento o disolvente, consultar inmediatamente a un médico para un tratamiento rápido y correcto. Informe al médico sobre el material de recubrimiento o disolvente utilizado.

2

Antes de toda puesta en funcionamiento se tendrán en cuenta los puntos siguientes; conforme a las instrucciones de uso:

1. No utilizar equipo defectuoso.
2. Asegurar la pistola mediante la palanca de seguridad que se encuentra en la misma.
3. Asegurar la puesta a tierra.
4. Verificar la presión de servicio admitida por la manguera de alta presión y la pistola de pulverización.
5. Controlar la hermeticidad de todos los elementos de unión.

3

Respetar estrictamente las instrucciones dadas para la limpieza y el mantenimiento del equipo que deben efectuarse con toda regularidad.

Antes de cualquier trabajo en el equipo y durante todas las pausas de trabajo, respetar sin falta las reglas siguientes:

1. Descargar la presión de la pistola y la manguera.
2. Asegurar la pistola mediante la palanca de seguridad que se encuentra en la misma.
3. Desconectar el aparato.

¡Preste atención a la seguridad!


Índice

	Página		Página
1. Normas de seguridad para la pulverización Airless	24	8. Limpieza del aparato (puesta fuera de servicio)	33
1.1 Explicación de los símbolos utilizados	24	8.1 Limpieza del aparato por fuera	33
1.2 Seguridad eléctrica	27	8.2 Filtro de aspiración	34
1.3 Carga electrostática (formación de chispas o llama)	27	8.3 Limpieza del filtro de alta presión	34
2. Sinopsis de aplicación	28	8.4 Limpieza de la pistola de pulverización Airless	34
2.1 Campos de aplicación	28	9. Procedimiento en caso de averías	35
2.2 Materiales de recubrimiento	28	10. Mantenimiento	36
3. Descripción del aparato	28	10.1 Mantenimiento general	36
3.1 Proceso Airless	28	10.2 Manguera de alta presión	36
3.2 Funcionamiento del aparato	28	11. Reparaciones en el aparato	36
3.3 Leyenda del cuadro explicativo Performance Series 560e	29	11.1 Válvula de descarga	36
3.4 Cuadro explicativo Performance Series 560e	29	11.2 Válvula de admisión y escape	36
3.5 Datos técnicos	30	11.3 Empaquetaduras	37
3.6 Transporte en el vehículo	30	11.4 Reemplazo del conjunto de motor	38
4. Puesta en servicio	30	11.5 Reemplazo de los engranajes	38
4.1 Manguera de alta presión, pistola de pulverización y aceite separador	30	11.6 Reemplazo del transductor	39
4.2 Indicadores del panel de control	31	11.7 Esquema eléctrico Performance Series 560e	39
4.3 Ajustes con el mando regulador de presión	31	12. Apéndice	40
4.4 Conexión a la red de alimentación	31	12.1 Selección de boquillas	40
4.5 Limpieza de agentes de conservación en la primera puesta en marcha	32	12.2 Mantenimiento y limpieza de las boquillas de metal duro Airless	40
4.6 Poner el equipo en marcha con material de recubrimiento	32	12.3 Accesorios de pistola de pulverización	40
5. Técnica de pulverización	32	12.4 Tabla de boquillas Airless	41/42
6. Manejo de la manguera de alta presión	33	12.5 Tabla de boquillas TR ²	43
7. Interrupción del trabajo	33	12.6 Accesorios adicionales para el modelo 560e	44
		Accesorios y piezas de recambio	66
		Lista de piezas de recambio conjunto principal	66
		Lista de piezas de recambio de la zona de pintura	68
		Lista de piezas de recambio del conjunto del mecanismo impulsor	70
		Lista de piezas de recambio del bastidor-soporte	72
		Lista de piezas de recambio del sistema de aspiración	73
		Garantía	74

1. Normas de seguridad para la pulverización Airless

1.1 Explicación de los símbolos utilizados

El presente manual contiene información que deberá leer y comprender bien antes de utilizar el equipo. Cuando llegue a una sección que tenga uno de los siguientes símbolos, preste especial atención y asegúrese de que se cumplen las medidas de seguridad.

	Este símbolo indica un peligro potencial que puede provocar lesiones graves e incluso la muerte. A continuación se incluye información importante de seguridad.
	Este símbolo indica un peligro potencial para usted o para el equipo. A continuación se incluye información importante para evitar daños al equipo o evitar situaciones que podrían provocar lesiones de segundo orden.
	Peligro de lesiones por inyección
	Peligro de incendio
	Peligro de explosión
	Mezclas de vapores tóxicos y/o inflamables. Peligro de intoxicación y quemadura
	Las notas añaden información importante a la que debe prestarse especial atención.



PELIGRO: Lesión causada por inyección

¡Atención: Peligro de lesiones por inyección! La corriente de líquido a alta presión que produce este equipo puede perforar la piel y tejidos interiores, pudiendo provocar graves lesiones e incluso hay posibilidad de amputación. No trate una lesión por pulverización como una lesión de corte inocua. En caso de lesiones cutáneas por contacto con material de recubrimiento o disolvente, consultar inmediatamente a un médico para un tratamiento rápido y correcto. Informe al médico sobre el material de recubrimiento o disolvente utilizado.

PREVENCIÓN:

- NUNCA dirija la pistola a ninguna parte del cuerpo.
- NUNCA toque con ninguna parte del cuerpo la corriente de líquido. NO toque con ninguna parte del cuerpo ninguna fuga en la manguera de líquido.
- NUNCA ponga la mano delante de la pistola. Los guantes no serán protección suficiente contra una lesión por inyección.
- Ponga SIEMPRE el seguro del gatillo de la pistola, cierre la bomba y libere toda la presión antes de realizar labores de mantenimiento y reparación, limpiar la boquilla o el protector, cambiar la boquilla o dejar de usarla. La presión no se descargará apagando el motor. La válvula PRIME/SPRAY (cebar/pulverizar) o válvula de purga de presión debe estar en la posición adecuada para liberar la presión del sistema.
- Mantenga SIEMPRE el protector de la boquilla en su sitio mientras pulveriza. El protector de la boquilla ofrece cierta protección pero principalmente se trata de un dispositivo de advertencia.
- Desmunte SIEMPRE la boquilla pulverizadora antes de enjuagar o limpiar el sistema.

- NUNCA use una pistola pulverizadora si el seguro del gatillo no funciona o si la protección del gatillo no está en su sitio.
- Todos los accesorios deben cumplir o superar las especificaciones nominales para la gama de presiones de funcionamiento del pulverizador. Esto incluye boquillas pulverizadoras, pistolas, extensiones y manguera.



PELIGRO: Manguera de alta presión

En la manguera de pintura pueden aparecer fugas a causa del desgaste, de retorcimientos o de un mal uso. Una fuga puede proyectar material hacia la piel. Revise siempre la manguera antes de usarla.

PREVENCIÓN:

- Comprobar atentamente la manguera de alta presión antes de cada uso.
- Sustituir inmediatamente la manguera de alta presión dañada.
- ¡No repare nunca usted mismo una manguera de alta presión defectuosa!
- Evitar doblarla o plegarla demasiado, radio de flexión mínimo, aprox. 20 cm.
- No pasar por encima de la manguera de alta presión, protegerla contra contactos con objetos agudos y cantos cortantes.
- No tirar nunca de la manguera de alta presión para desplazar el equipo.
- No torcer la manguera de alta presión.
- No sumergir la manguera de alta presión en disolventes. Limpiar el exterior únicamente con un paño empapado.
- Tender la manguera de alta presión de manera que no pueda representar un riesgo de tropiezo.



Por razones de funcionamiento, seguridad y duración, emplear únicamente mangueras de alta presión originales de Titan.



PELIGRO: Explosiones e incendios

Los humos de las pinturas y disolventes pueden explotar o inflamarse, pudiendo provocar lesiones graves y/o daños materiales.

PREVENCIÓN:

- No utilice materiales con un punto de ignición por debajo de 38 °C (100 °F). El punto de ignición es la temperatura a la que un fluido puede producir vapores suficientes como para que se inflamen.
- No utilizar el aparato en locales de fabricación que están bajo ordenanza de protección contra explosión.
- Permita una zona de escape amplia y que entre aire fresco para que el aire dentro de la zona de pulverización no acumule vapores inflamables.
- Evite todas las fuentes de ignición, tales como chispas por electricidad estática, aparatos eléctricos, llamas, luces indicadoras, objetos calientes y chispas producidas al conectar y desconectar cables de alimentación o interruptores de luces en funcionamiento.
- No fume en la zona de pulverización.
- Coloque el pulverizador a una distancia suficiente del objeto a pulverizar en un área bien ventilada (añada más manguera si es necesario). Los vapores inflamables suelen ser más pesados que el aire. El área del suelo debe estar perfectamente ventilada. La bomba contiene piezas que forman arcos eléctricos y sueltan chispas, pudiendo inflamar los vapores.
- El equipo y los objetos alrededor y en la zona de pulverización deben estar puestos a tierra adecuadamente para evitar chispas estáticas.
- Use solamente una manguera conductora o a tierra para líquido a alta presión. La pistola debe estar puesta a tierra a través de las conexiones de la manguera.
- El cable de alimentación debe estar conectado a un circuito puesto a tierra (sólo unidades eléctricas).
- Enjuague siempre la unidad en un recipiente de metal aparte, a baja presión

de la bomba y con la boquilla quitada. Sujete la pistola con firmeza contra el lateral del recipiente para poner a tierra dicho recipiente y evitar así chispas estáticas.

- Siga las instrucciones y advertencias del fabricante del material y del disolvente. Familiarícese con la hoja de datos de seguridad de materiales e información técnica del material de recubrimiento para garantizar un uso seguro.
- Use la mínima presión posible cuando enjuague el equipo.
- Al limpiar el aparato con disolvente no se debe pulverizar o bombear a un recipiente con orificio pequeño (ojo de barril). Peligro de formación de una mezcla de gas/aire explosiva. El recipiente deberá estar puesto a tierra.



PELIGRO: Vapores peligrosos

Las pinturas, disolventes, y otros materiales pueden ser perjudiciales si se inhalan o entran en contacto con el cuerpo. Los vapores pueden provocar náuseas intensas, desmayos o envenenamiento.

PREVENCIÓN:

- Ponerse una careta respiratoria durante los trabajos de pulverización. Lea todas las instrucciones facilitadas con la mascarilla para asegurarse de que proporciona toda la protección necesaria.
- Se deben respetar todas las normas de seguridad con respecto a la protección contra vapores dañinos.
- Lleve gafas protectoras.
- Para proteger la piel se necesitan especialmente ropa protectora, guantes y, si es necesario, crema cutánea de protección. Prestar atención a las prescripciones de los fabricantes con respecto a materiales de recubrimiento, disolventes y agentes limpiadores durante la preparación, el tratamiento y la limpieza de los aparatos.



PELIGRO: General

Pueden producirse lesiones graves o daños materiales.

PREVENCIÓN:

- Cumpla todos los reglamentos locales, estatales y nacionales pertinentes relativos a ventilación, prevención de incendios y funcionamiento.
- Al apretar el gatillo, la mano que sujeta la pistola pulverizadora experimenta una fuerza de retroceso. La fuerza de retroceso de la pistola pulverizadora es especialmente fuerte cuando se quita la boquilla y se selecciona una presión alta para la bomba airless. Cuando vaya a limpiar la boquilla pulverizadora, ponga la perilla de control de presión al mínimo.
- Emplee solamente piezas autorizadas por el fabricante. El usuario asumirá todos los riesgos y toda la responsabilidad cuando utilice piezas que no cumplan con las especificaciones mínimas y dispositivos de seguridad del fabricante de la bomba.
- Siga SIEMPRE las instrucciones del fabricante del material para que la manipulación de pinturas y disolventes sea segura.
- Limpie inmediatamente todos los derrames de materiales y solventes para evitar el peligro de deslizamiento.
- Lleve protección para los oídos. El aparato puede producir niveles de ruido superiores a 85 dB(A).
- Nunca deje este equipo sin vigilancia. Manténgalo fuera del alcance de los niños o de cualquier persona que no esté familiarizada con el funcionamiento de equipos airless.
- No pulverice al aire libre si hace viento.
- El dispositivo y todos los líquidos relacionados (es decir, aceite hidráulico) se deben desechar de una forma amigable con el medioambiente.
- Este equipo no está previsto para ser utilizado por personas (inclusive niños) de capacidad física, sensorial o mental limitada, o que no disponen de experiencia y/o conocimientos; a no ser que sean supervisados por una persona encargada

de su seguridad, o que reciban de ella las instrucciones necesarias para utilizar el equipo. Los niños deberán ser vigilados para asegurar que no juegan con el equipo.

1.2 Seguridad eléctrica

Los modelos eléctricos deben conectarse a tierra. En caso de cortocircuito eléctrico, la puesta a tierra reduce el peligro de descarga eléctrica al proporcionar un hilo de escape para la corriente eléctrica. Este producto está provisto de un cable que tiene un hilo de puesta a tierra con un enchufe de tierra adecuado. Conexión a la red de alimentación sólo a través de un punto de alimentación especial, p.ej. a través de un dispositivo protector contra corriente defectuosa con INF 30 mA.



PELIGRO — Los trabajos y las reparaciones en el sistema eléctrico deben ser ejecutados únicamente por un electricista cualificado. No asumimos ninguna responsabilidad en caso de una instalación inadecuada. Desconectar el equipo. Antes de toda reparación – extraer la clavija de red de la caja de enchufe.

Peligro de cortocircuito mediante agua infiltrada en el dispositivo eléctrico. No pulverizar nunca el aparato con detergente o vapor detergente de alta presión.

Trabajos o reparaciones en el equipamiento eléctrico:

Disponer su ejecución únicamente por un electricista competente. No se asume ninguna responsabilidad por la instalación inadecuada.



Si el cable de conexión de red de este equipo está dañado, debe ser reemplazado por el fabricante o su servicio posventa, o bien por una persona cualificada semejante, para evitar riesgos.

1.3 Carga electrostática (formación de chispas o llama)



A raíz de la velocidad de circulación del material de recubrimiento durante la pulverización, pueden eventualmente producirse cargas electrostáticas en el equipo. Éstas pueden dar lugar a formación de chispas o llama al descargarse. Por eso es necesario que el aparato esté siempre conectado a tierra a través de la instalación eléctrica. La conexión debe realizarse a través de una caja de enchufe conectada a tierra de debida forma.

La carga electrostática de la pistola de pulverización y la manguera de alta presión se descarga a través de la manguera de alta presión. Por esa razón, la resistencia eléctrica entre los empalmes de la manguera de alta presión debe ser igual o menor a 197 k $\frac{1}{2}$ /m (60 k $\frac{1}{2}$ /ft.).

2. Sinopsis de aplicación

2.1 Campos de aplicación

El rendimiento del Performance Series 460e está previsto para permitir el procesamiento de pinturas de dispersión para objetos pequeños y medianos en el sector interior.

Ejemplos de objetos de pulverización

Ambos equipos son adecuados para todos los trabajos de laqueado usuales, como por ejemplo: Puertas, marcos de puerta, barandillas, muebles, revestimientos de madera, cercas, radiadores y piezas de acero.

2.2 Materiales de recubrimiento

Materiales de recubrimiento procesables



Preste atención a la calidad Airless de los materiales de recubrimiento a procesar.

Lacas y pinturas diluibles con agua y que contienen disolvente, materiales de recubrimiento bicomponentes, dispersiones, pinturas látex.

El procesamiento de otros materiales de recubrimiento se admite sólo con autorización de la empresa Titan.

Filtrado

Pese al filtro de aspiración y el filtro enchufable en la pistola de pulverización, se recomienda en general realizar un filtrado del material de recubrimiento. Agitar bien el material de recubrimiento antes de proceder al trabajo.



Atención: Al remover con un mecanismo agitador accionado a motor, prestar atención de que no se formen burbujas, ya que éstas dificultan la pulverización, y pueden también interrumpir el funcionamiento.

Viscosidad

El aparato permite procesar materiales de recubrimiento de alta viscosidad hasta aprox. 20.000 mPa·s. Si no es posible la aspiración de materiales de recubrimiento, se han de diluir conforme a las indicaciones del fabricante.

Materiales de recubrimiento bicomponentes

Se cumplirá exactamente el tiempo de procesamiento correspondiente. Durante este tiempo el aparato deberá lavarse y limpiarse cuidadosamente con el respectivo agente limpiador.

Materiales de recubrimiento con sustancias accesorias de canto vivo

Estos ejercen un fuerte efecto desgastador sobre las válvulas, la manguera de alta presión, la pistola de pulverización y la boquilla, lo cual puede acortar considerablemente la duración de estas piezas.

3. Descripción del aparato

3.1 Proceso Airless

Los campos de aplicación principales son el recubrimiento con capas gruesas de material de recubrimiento de alta viscosidad de grandes superficies y con alta aplicación de material.

Una bomba de pistón aspira el material de recubrimiento y lo transporta a presión a la boquilla. El material de recubrimiento se pulveriza impulsado a través de la boquilla a una presión de hasta 22,1 MPa (221 barios). Esta alta presión produce una pulverización micrométrica del material de recubrimiento.

Dado que en este sistema no se utiliza aire, este proceso se denomina proceso AIRLESS (exento de aire).

Esta forma de pulverizar reúne las ventajas de la más fina pulverización, un funcionamiento pobre en neblinas y una superficie lisa y sin burbujas. Junto a estas ventajas se pueden mencionar la velocidad de trabajo y la gran manejabilidad.

3.2 Funcionamiento del aparato

A continuación la estructuración técnica a grandes rasgos, a fin de una mejor comprensión del funcionamiento.

Titan 560e son equipos de pulverización de alta presión con accionamiento eléctrico.

Un mecanismo de engranajes transfiere la fuerza motriz a un eje de cigüeñal, que mueve arriba y abajo el pistón de la bomba de transporte de material.

La válvula de admisión abre automáticamente mediante el movimiento ascendente del pistón. La válvula de escape abre durante el movimiento descendente del pistón.

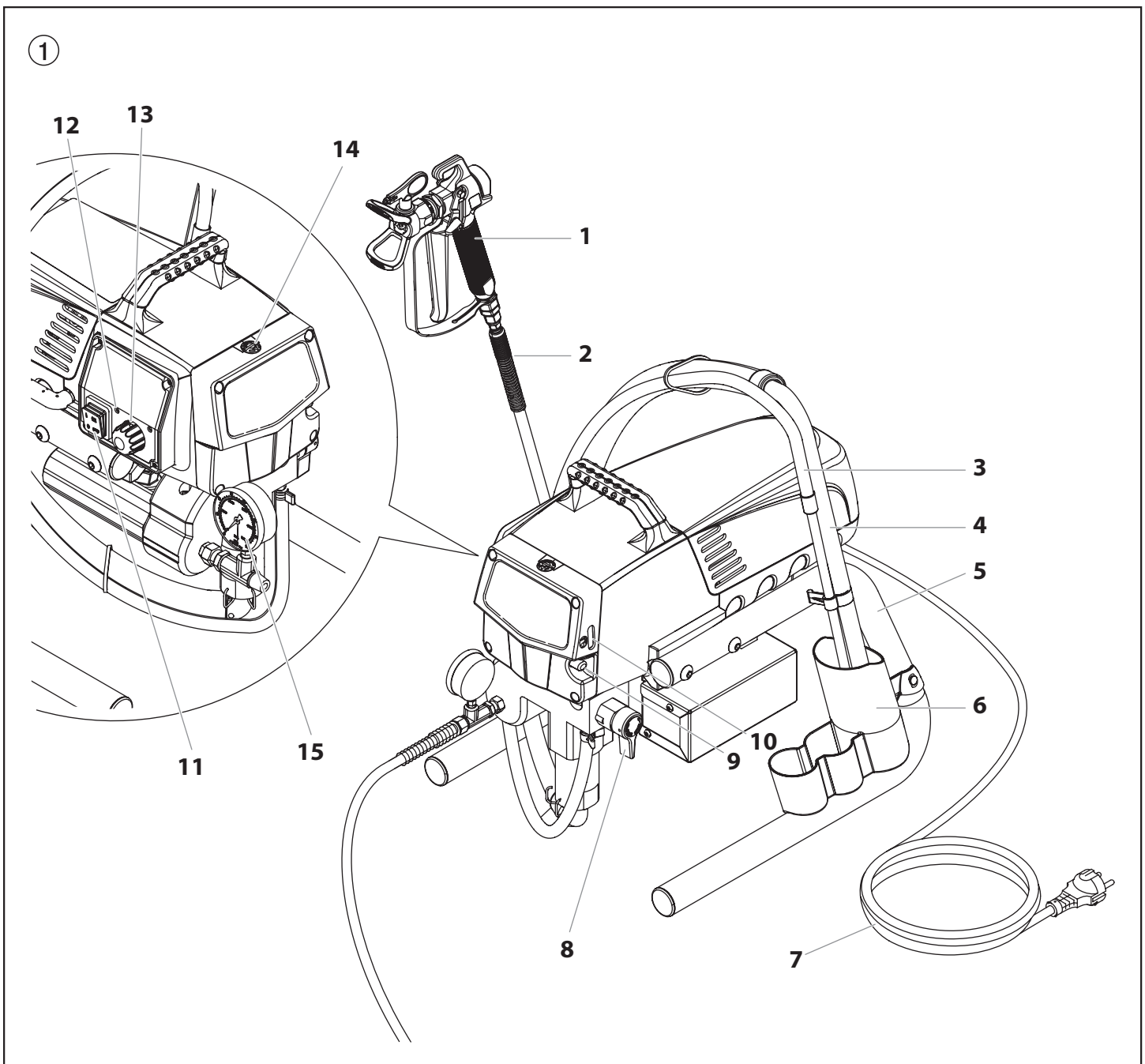
El material de recubrimiento se transporta a alta presión a través de la manguera de alta presión a la pistola de pulverización. El material de recubrimiento se pulveriza al salir por la boquilla.

El regulador de presión regula la cantidad de transporte y la presión de servicio del material de recubrimiento.

3.3 Leyenda del cuadro explicativo Performance Series 560e

- | | | | |
|---|---|----|--|
| 1 | Pistola de pulverización | 9 | Botón de aceite |
| 2 | Manguera de alta presión | 10 | Indicador del nivel de aceite |
| 3 | Manguera de retorno | 11 | Interruptor ON/CON – OFF/DES |
| 4 | Manguera de aspiración | 12 | Indicadores del panel de control |
| 5 | Bastidor-soporte | 13 | Mando regulador de presión |
| 6 | Recipiente de limpieza | 14 | Abertura de relleno para Piston Lube
(el Piston Lube evita el desgaste excesivo de las
empaquetaduras) |
| 7 | Cable de conexión | 15 | Manómetro |
| 8 | Válvula de descarga | | |
| | Palanca en posición vertical – PRIME (↻ circulación) | | |
| | Palanca en posición horizontal – SPRAY (↘ pulverizar) | | |

3.4 Cuadro explicativo Performance Series 560e



3.5 Datos técnicos

Tensión	220~240 VAC, 50/60 Hz o 100~120 VAC, 50/60 Hz
Consumo de corriente máx.	
220~240 VAC	4,5 A
100~120 VAC	12 A
Cable de conexión	Página 70
Potencia consumida	1035 Watt
Presión de servicio máx.	221 bar (22,1 MPa, 3200 PSI)
Intensidad volumétrica a 120 barios (12 MPa) con agua	2,0l/min
Tamaño de boquilla máx.	0,021 inch (pulgada) – 0,53 mm
Temperatura máx. del material de recubrimiento	43°C
Viscosidad máx.	20.000 MPa·s
Peso	17,9 kg
Manguera especial de alta presión	DN 6 mm, 15 m, rosca de empalme M 16 x 1,5
Medidas (L x B x H)	437 x 363 x 416 mm
Altitud	Este equipo funcionará correctamente hasta 2000 m sobre el nivel medio del mar
Vibración	La pistola pulverizadora no excede los 2,5m/s ²
Nivel de presión sonora máx.	80 dB*

* Punto de medida: Distancia lateral al aparato 1 m y 1,60 m sobre el suelo, 12 MPa (120 barios) presión de servicio, suelo anticústico

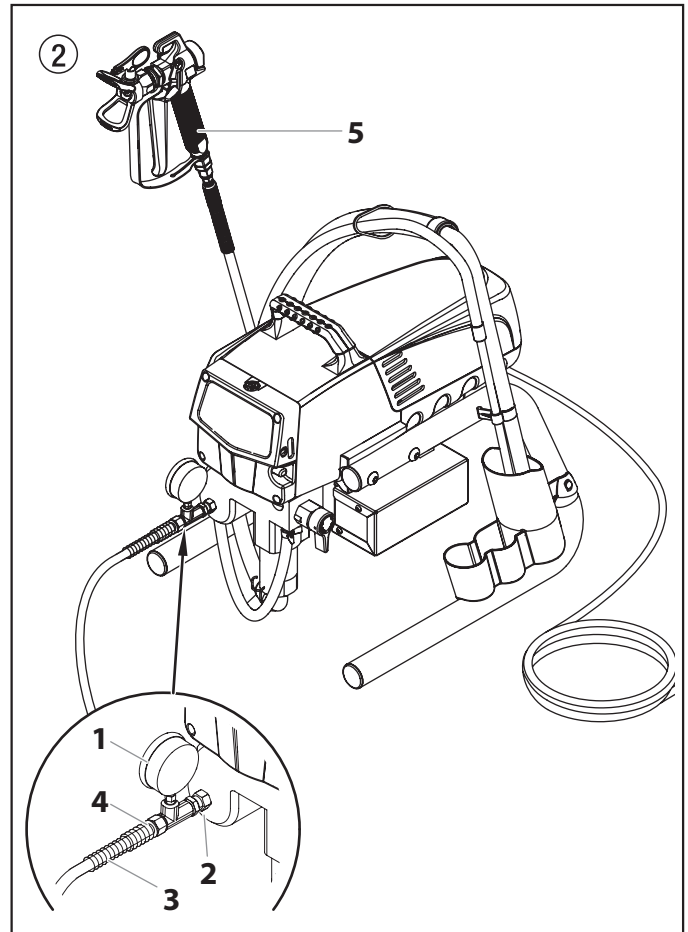
3.6 Transporte en el vehículo

Asegurar el aparato con medios de sujeción adecuados.

4. Puesta en servicio

4.1 Manguera de alta presión, pistola de pulverización y aceite separador

1. Enroscar el manómetro (Fig. 2, Pos. 1) en la salida de material de recubrimiento (2).
2. Enroscar la manguera de alta presión (3) en el manómetro combinado (4).
3. Atornillar la pistola de pulverización (5) con la boquilla elegida en la manguera de alta presión.
4. Apretar bien la tuerca tapón en la manguera de alta presión, para que no salga material de recubrimiento.



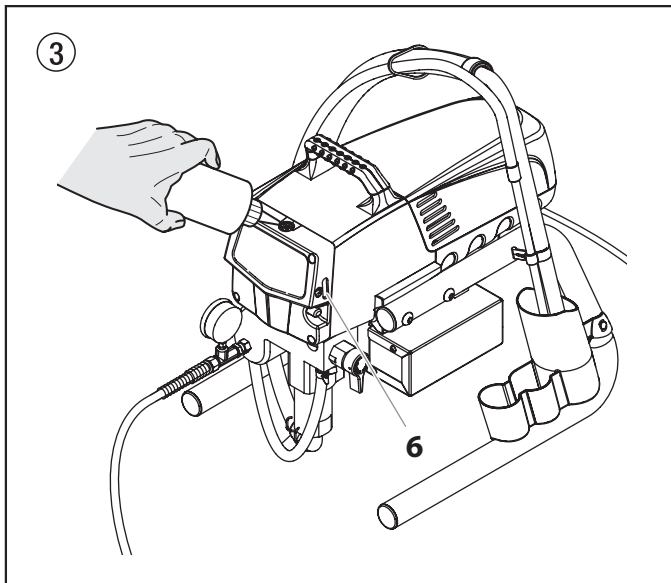
5. Retire la tapa de la copa de aceite con un destornillador para ranura recta.
6. Llene la copa de aceite con Piston Lube (Fig. 3) hasta que el indicador de aceite (6) muestre que está llena.



Atención

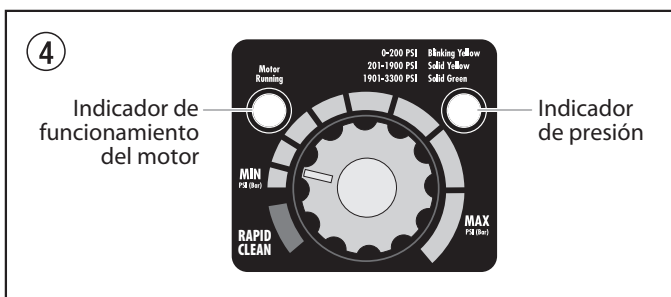
El Piston Lube evita el desgaste excesivo de las empaquetaduras.

7. Reemplace la tapa de la copa de aceite.
8. Presione el botón de aceite 2 a 5 veces para cebar el aceitero. Presione una vez por cada ocho horas de uso para lubricar la sección de líquido.



4.2 Indicadores del panel de control

A continuación se muestra una descripción de los indicadores del panel de control.



Indicador de presión

El indicador de presión muestra la presión de funcionamiento actual del pulverizador. Muestra tres indicaciones diferentes: amarillo intermitente, amarillo fijo y verde fijo.

Amarillo intermitente

Cuando el indicador de presión parpadea en amarillo, el pulverizador está funcionando entre 0 y 200 PSI (0 y 1,4 MPa [14 bar]). Un indicador de presión amarillo intermitente indica que:

- El pulverizador está enchufado y encendido ("ON")
- El pulverizador está funcionando con una presión de cebado (con muy poca presión o sin presión)
- Es seguro cambiar la válvula PRIME/SPRAY (cebar/pulverizar) de posición
- Es seguro cambiar o reemplazar la boquilla pulverizadora



Si el indicador de presión comienza a parpadear en amarillo al poner el mando de control en una presión mayor y la válvula PRIME/SPRAY está en la posición SPRAY, o la boquilla está desgasta o el pulverizador necesita servicio/repelación.

Amarillo fijo

Cuando el indicador de presión está amarillo fijo, el pulverizador está funcionando entre 201 PSI (1,4 MPa, 14 bar) y 1900 PSI (12 MPa, 120 bar). Un indicador de presión amarillo fijo indica que:

- La presión del pulverizador está configurada correctamente para pulverizar tinte, laca y barniz y para pintado multicolor

Verde fijo

Cuando el indicador de presión está verde fijo, el pulverizador está funcionando entre 1901 PSI (12 MPa, 120 bar) y 3300 (23 MPa, 230 bar). Un indicador de presión en verde fijo indica que:

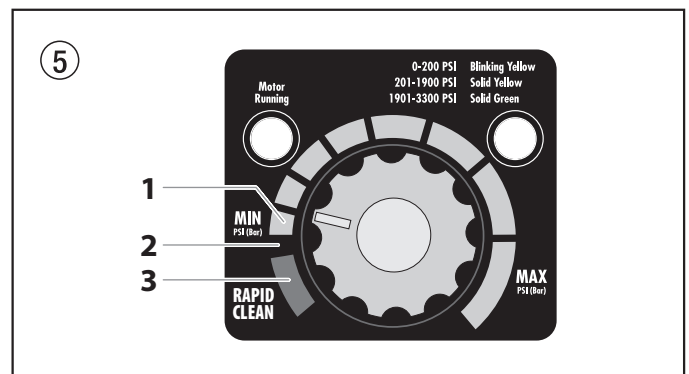
- La presión del pulverizador está configurada correctamente para pulverizar pinturas con base de aceite y pinturas de látex para viviendas
- El pulverizador está funcionando al máximo rendimiento con una configuración de alta presión
- Si el indicador de presión se pone amarillo fijo cuando la presión está configurada de modo que tenía que empezar en verde fijo, eso indica uno de los siguientes factores:
 - a. **Indicador de desgaste de la boquilla:** se pone amarillo al pulverizar con látex o a altas presiones. Esto significa que la boquilla está desgastada y debe reemplazarse.
 - b. **Boquilla demasiado grande:** cuando una boquilla es demasiado grande para el pulverizador colocado en la pistola, el indicador de presión pasa de verde a amarillo.
 - c. **Desgaste de la parte del líquido:** si aparece un indicador de presión amarillo fijo al usar una boquilla nueva y poner la presión al máximo, puede que sea necesaria una revisión (empaquetaduras desgastadas, pistón desgastado, válvula atascada, etc.).

Indicador de funcionamiento del motor

El indicador de funcionamiento del motor se enciende al poner en marcha el motor. Este indicador se utiliza en los centros de servicio para solucionar problemas del motor.

4.3 Ajustes con el mando regulador de presión (Fig. 5)

1. Ajuste de presión mínima
3. Zona negro – sin generación de presión
4. Zona azul – presión pulsátil para la limpieza



4.4 Conexión a la red de alimentación



La conexión debe realizarse a través de una caja de enchufe con contacto protector de tierra reglamentario.

Antes de conectar a la red de alimentación, prestar atención de que la tensión de red coincida con los datos indicados en la placa de características del equipo.

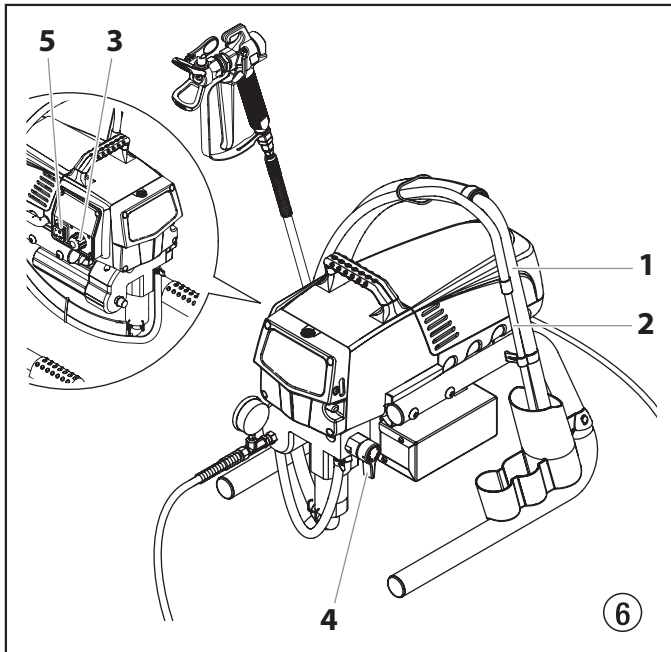
La conexión tiene que estar dotada de un interruptor de corriente de defecto INF ≤ 30 mA.



En el programa de accesorios Titan encuentra dispositivos eléctricos de protección personal móvil, que usted puede también utilizar con otros equipos eléctricos.

4.5 Limpieza de agentes de conservación en la primera puesta en marcha

1. Sumergir la manguera de aspiración (Fig. 6, Pos. 1) y la manguera de retorno (2) en un depósito con agente limpiador adecuado.
2. Girar el mando regulador de presión (3) a mínima presión.
3. Abrir la válvula de descarga (4), posición de válvula PRIME (↻ circulación).
4. Conectar el equipo (5) ON (CON)
5. Esperar hasta que por la manguera de retorno salga detergente.
6. Cerrar la válvula de descarga, posición de válvula SPRAY (↗ pulverizar).
7. Apretar el gatillo de la pistola de pulverización.
8. Pulverizar agente limpiador fuera del aparato a un recipiente colector abierto.



4.6 Poner el equipo en marcha con material de recubrimiento

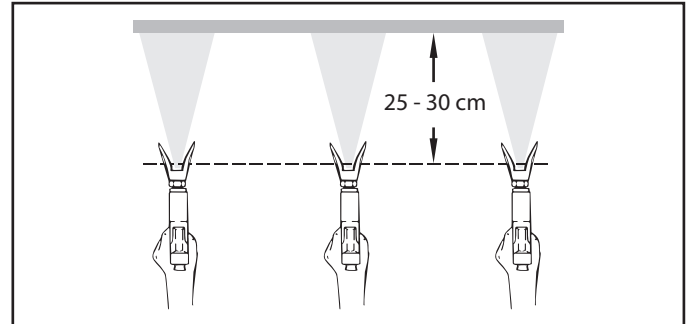
1. Sumergir la manguera de aspiración (Fig. 6, Pos. 1) y la manguera de retorno (2) en el depósito con material de recubrimiento.
2. Girar el mando regulador de presión (3) a mínima presión.
3. Abrir la válvula de descarga (4), posición de válvula PRIME (↻ circulación).
4. Conectar el equipo (5) ON (CON)
5. Esperar hasta que por la manguera de retorno salga material de recubrimiento.
6. Cerrar la válvula de descarga, posición de válvula SPRAY (↗ pulverizar).
7. Apretar el gatillo de la pistola de pulverización varias veces y pulverizar en un recipiente colector, hasta que el material de recubrimiento salga de forma ininterrumpida por la pistola de pulverización.
8. Aumentar la presión girando el mando regulador de presión lentamente a una posición de presión más alta. Comprobar la proyección del pulverizado, aumentando la pulverización hasta que sea impecable. Girar el mando regulador de presión siempre a la posición más baja, que todavía permita buena pulverización.
9. El aparato está disponible para pulverizar.

5. Técnica de pulverización

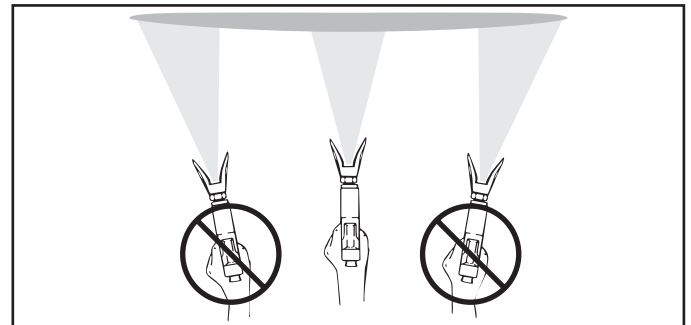


Peligro de inyección. No pulverice sin la protección de la punta en su lugar. NUNCA apriete el gatillo de la pistola a menos que la punta esté completamente girada en la posición de pulverización o de destrabado. SIEMPRE bloquee el gatillo de la pistola antes de retirar, reemplazar o limpiar la punta.

La clave para un buen trabajo de pintura es recubrir de forma pareja toda una superficie. Mueva su brazo a una velocidad constante y mantenga la pistola pulverizadora a una distancia constante de la superficie. La mejor distancia para pulverizar es de 25 a 30 cm entre la punta de pulverización y la superficie.

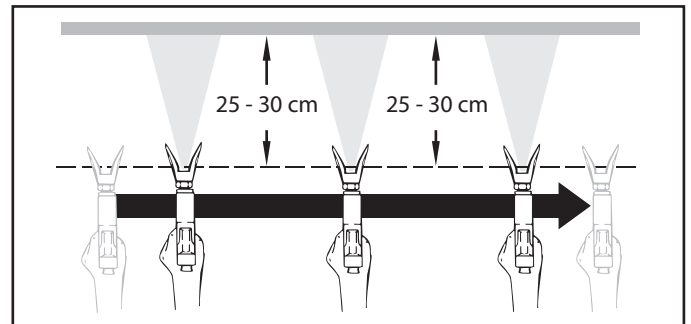


Mantenga la pistola pulverizadora en ángulos rectos respecto de la superficie. Esto quiere decir que debe mover todo el brazo de un lado a otro y no solo mover la muñeca.



Mantenga la pistola pulverizadora de forma perpendicular a la superficie, de lo contrario un extremo del patrón será más grueso que el otro.

Apriete el gatillo después de comenzar el trazo. Suelte el gatillo antes de terminar el trazo. La pistola pulverizadora debería estar en movimiento cuando se aprieta y suelta el gatillo. Superponga cada trazo cerca de 30%. Esto garantizará un recubrimiento pareja.



Al presentarse zonas con bordes y franjas en el chorro de pulverizado – aumentar la presión de servicio o diluir el material de recubrimiento.

6. Manejo de la manguera de alta presión

El aparato está equipado con una manguera de alta presión especialmente adecuada para bombas de pistón.



Riesgo de lesiones mediante manguera de alta presión con fugas. Sustituir inmediatamente la manguera de alta presión dañada.

¡No reparar nunca una manguera de alta presión defectuosa!

La manguera de alta presión se tiene que manejar con cuidado. Evitar doblarla o plegarla demasiado, radio de flexión mínimo, aprox. 20 cm. No pasar por encima de la manguera de alta presión, protegerla contra contactos con objetos agudos y cantos cortantes.

No tirar nunca de la manguera de alta presión para desplazar el equipo.

Prestar atención a que la manguera de alta presión no se pueda torcer. Esto se puede evitar utilizando una pistola de pulverización Titan con articulación giratoria y un tambor de manguera.



Para el manejo de la manguera de alta presión durante trabajos en andamios se ha comprobado como más ventajoso, dirigir la manguera siempre por la parte exterior del andamio.



En mangueras de alta presión viejas aumenta el riesgo de defectos. Titan recomienda sustituir la manguera de alta presión al cabo de 6 años.



Por razones de funcionamiento, seguridad y duración, emplear únicamente mangueras de alta presión originales de Titan.

7. Interrupción del trabajo

1. Abrir la válvula de descarga, posición de válvula PRIME (↻ circulación).
2. Desconectar el equipo OFF (DES).
3. Girar el mando regulador de presión hasta el tope en la zona negra (sin generación de presión)
4. Apretar el gatillo de la pistola de pulverización, para descargar la presión de la manguera de alta presión y de la pistola de pulverización.
5. Asegurar la pistola de pulverización, véase las instrucciones de funcionamiento de la pistola de pulverización.
6. Si tiene que limpiarse la boquilla, véase la página 40, apartado 12.2.
Si está montada una boquilla de distinto modelo, proceder conforme al manual de instrucciones.
7. Dejar sumergidas la manguera de aspiración y la manguera de retorno o sumergirlas en un material de recubrimiento apropiado.



Atención

Al emplear materiales de recubrimiento de secado rápido - o bicomponentes, lavar el aparato a fondo sin falta con agente limpiador adecuado, dentro del tiempo de procesamiento.

8. Limpieza del aparato (puesta fuera de servicio)

La limpieza es la más segura garantía para un funcionamiento sin desperfectos. Después de terminar los trabajos de pulverización, limpiar el aparato. De ninguna manera deben secarse y quedar restos de material de recubrimiento pegados en el aparato.

El agente limpiador utilizado para la limpieza (sólo con un punto de inflamación superior a 38°C) debe corresponder al material de recubrimiento.

- **Asegurar la pistola de pulverización**, véase las instrucciones de funcionamiento de la pistola de pulverización.

Limpiar y desmontar la boquilla.

Boquilla estándar, véase la página 40, apartado 12.2.

Si está montada una boquilla de distinto modelo, proceder conforme al manual de instrucciones.

1. Sacar la manguera de aspiración fuera del material de recubrimiento.
2. Cerrar la válvula de descarga, posición de válvula SPRAY (↻ pulverización).
3. Conectar el equipo ON (CON).
4. Apretar el gatillo de la pistola de pulverización, para bombear el resto de material de recubrimiento de la manguera de aspiración, la manguera de alta presión y la pistola de pulverización, a un recipiente abierto.



Atención

Para materiales de recubrimiento que contienen disolvente, el recipiente deberá estar puesto a tierra.



¡Cuidado! ¡No bombear o pulverizar en recipientes con orificio pequeño (ojo de barril)! Véase Normas de seguridad.

5. Sumergir la manguera de aspiración con la manguera de retorno en un depósito con agente limpiador adecuado.
6. Girar el mando regulador de presión a la zona azul – presión pulsátil para la limpieza.
7. Abrir la válvula de descarga, posición de válvula PRIME (↻ circulación).
8. Bombear agente limpiador adecuado en la circulación durante algunos minutos.
9. Cerrar la válvula de descarga, posición de válvula SPRAY (p pulverización).
10. Apretar el gatillo de la pistola de pulverización.
11. Bombear el resto de agente limpiador en un recipiente abierto, hasta vaciar el aparato.
12. Desconectar el equipo OFF (DES).

8.1 Limpieza del aparato por fuera



Atención

Extraer primero la clavija de red de la caja de enchufe.



Atención

¡Peligro de cortocircuito mediante agua infiltrada. No pulverizar nunca el aparato con detergente o vapor detergente de alta presión.



Atención

No sumergir la manguera de alta presión en disolventes. Limpiar el exterior únicamente con un paño empapado.

Restregar el aparato por fuera con un paño empapado con agente limpiador adecuado.

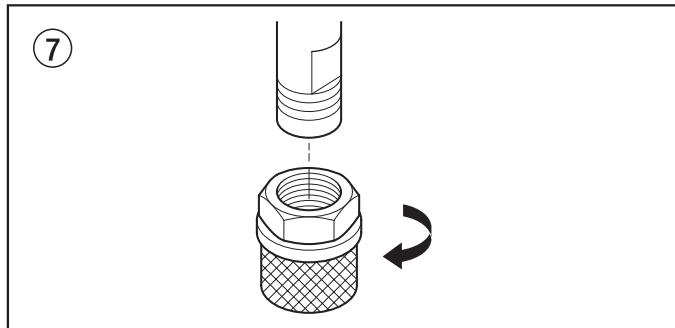
8.2 Filtro de aspiración



Un filtro de aspiración limpio garantiza siempre máxima cantidad transportada, presión de pulverización constante y un correcto funcionamiento del aparato.

1. Destornillar el filtro (Fig. 7) del tubo de aspiración.
2. Limpiar o cambiar el filtro.

Ejecutar la limpieza con un pincel duro y el respectivo agente limpiador.



8.3 Limpieza del filtro de alta presión

Limpiar el cartucho de filtro con regularidad.

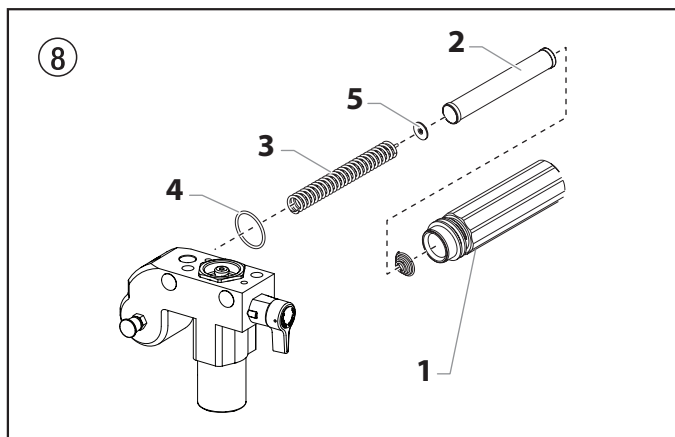
Un filtro de alta presión sucio u obstruido da lugar a una proyección del pulverizado deficiente o una boquilla obstruida.

1. Girar el mando regulador de presión a mínima presión.
2. Abrir la válvula de descarga, posición de válvula PRIME (↻ circulación).
3. Desconectar el equipo OFF (DES).



Extraer la clavija de red de la caja de enchufe.

4. Desenroscar la caja de filtro (Fig. 8, Pos. 1) con llave de cinta abrazadora.
5. Extraer el cartucho de filtro (2) del resorte de apoyo (3).
6. Limpiar todas las piezas con agente limpiador apropiado. Si es necesario, cambiar el cartucho de filtro.
7. Comprobar el anillo tórico (4), sustituirlo si es necesario.
8. Colocar la arandela de apoyo (5) en el resorte de apoyo (3). Deslizar el cartucho de filtro (2) sobre el resorte de apoyo.
9. Atornillar la caja de filtro (1) y apretarla con llave de cinta abrazadora hasta el tope.



8.4 Limpieza de la pistola de pulverización Airless

1. Lavar el interior de la pistola de pulverización Airless a baja presión de servicio con agente limpiador adecuado.
2. Limpiar a fondo la boquilla con agente limpiador detergente adecuado, de manera que no quede ningún resto de material de recubrimiento.
3. Limpiar a fondo la pistola de pulverización Airless por fuera.

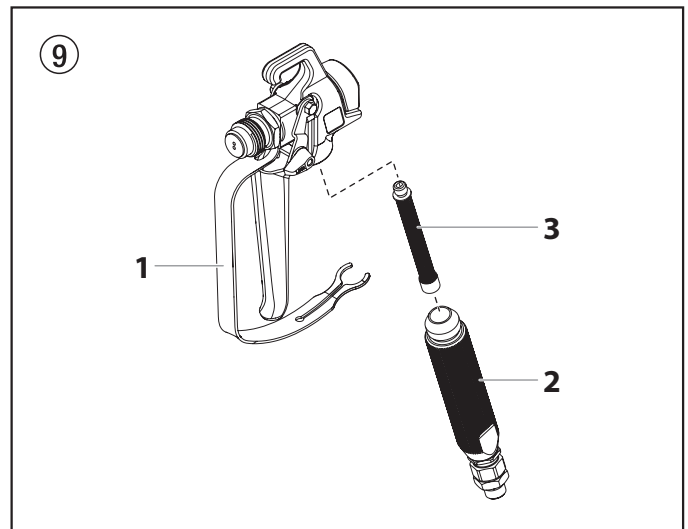
Filtro enchufable en la pistola de pulverización Airless

Desmontaje (Fig. 9)

1. Tirar el estribo protector (1) con fuerza hacia adelante.
2. Destornillar la empuñadura (2) fuera de la carcasa de la pistola. Extraer el filtro enchufable (3).
3. Sustituir el filtro enchufable obstruido o defectuoso.

Montaje

1. Meter el filtro enchufable (3) con el cono más largo en la carcasa de la pistola.
2. Atornillar y apretar la empuñadura (2) en la carcasa de la pistola.
3. Encajar el estribo protector (1)



9. Procedimiento en caso de averías

Avería	Causa posible	Eliminación de la avería
A. El aparato no arranca	<ol style="list-style-type: none"> No hay tensión de alimentación. Ajuste de presión demasiado bajo. Interruptor ON/OFF (CON/DES) defectuoso. 	<ol style="list-style-type: none"> Comprobar el abastecimiento de tensión. Aumentar girando el mando regulador de presión. Sustituir
B. El aparato no aspira	<ol style="list-style-type: none"> Válvula de descarga ajustada para SPRAY (pulverización). El filtro sobrepasa el nivel de líquido y aspira aire. Filtro obstruido. Manguera de aspiración suelta, el equipo aspira aire secundario. 	<ol style="list-style-type: none"> Ajustar la válvula de descarga para PRIME (circulación). Rellenar material de recubrimiento. Limpiar o sustituir el filtro. Limpiar los sitios de empalme, sustituir los anillos tóricos si es necesario. Asegurar la manguera de aspiración con grapa de sujeción.
C. El aparato no aspira, no se establece la presión de servicio	<ol style="list-style-type: none"> Boquilla demasiado gastada. Boquilla demasiado grande. Ajuste de presión demasiado bajo. Filtro obstruido. El material de recubrimiento fluye a través de la manguera de retorno, cuando la válvula de descarga está en posición SPRAY (pulverización). Empaquetaduras pegadas o gastadas. Bolas de válvula gastadas. Encajes de válvula gastados. 	<ol style="list-style-type: none"> Sustituir Elegir una boquilla más pequeña, véase la tabla de boquillas. Gire el regulador de presión en el sentido de las agujas del reloj para aumentar. Limpiar o sustituir el filtro. Desmontar la válvula de descarga y limpiarla o sustituirla. Desmontar las empaquetaduras, limpiarlas o sustituirlas. Desmontar las bolas de válvula y sustituirlas. Desmontar las bolas de válvula y sustituirlas.
D. El material de recubrimiento sale fuera de la zona de pintura	<ol style="list-style-type: none"> La empaquetadura superior está gastada. El pistón está gastado. 	<ol style="list-style-type: none"> Desmontar la empaquetadura y sustituirla. Desmontar el pistón y sustituirlo.
E. El equipo pierde potencia	<ol style="list-style-type: none"> Ajuste de presión demasiado bajo. 	<ol style="list-style-type: none"> Gire el regulador de presión en el sentido de las agujas del reloj para aumentar.
F. Pulsación elevada en la pistola de pulverización	<ol style="list-style-type: none"> Manguera de alta presión incorrecta. Boquilla gastada o demasiado grande. Presión muy alta. 	<ol style="list-style-type: none"> Por razones de funcionamiento, seguridad y duración, emplear únicamente mangueras de alta presión originales de Titan. Sustituir la boquilla. Girar el mando regulador de presión a una cifra más baja.
G. Mala proyección del pulverizado	<ol style="list-style-type: none"> Boquilla demasiado grande para el material de recubrimiento a pulverizar. Ajuste de presión incorrecto. Cantidad de transporte demasiado baja. Material de recubrimiento de muy alta viscosidad. 	<ol style="list-style-type: none"> Sustituir la boquilla, véase tabla de boquillas. Girar el mando regulador de presión hasta obtener una proyección del pulverizado satisfactoria. Limpiar o sustituir todos los filtros. Diluir conforme a la indicación del fabricante.

10. Mantenimiento

10.1 Mantenimiento general

El mantenimiento del equipo deberá ser realizado por el servicio postventa de Titan una vez al año.

1. Comprobar los deterioros en las mangueras de alta presión, la tubería de conexión de aparatos y los conectores.
2. Comprobar el desgaste de la válvula de admisión, la válvula de escape y el filtro.

10.2 Manguera de alta presión

Comprobar visualmente la eventual presencia de cortes o desabolladuras en la manguera de alta presión, especialmente en el paso a la grifería. Las tuercas tapón deben tener giro libre.



En mangueras de alta presión viejas aumenta el riesgo de defectos. Titan recomienda sustituir la manguera de alta presión al cabo de 6 años.

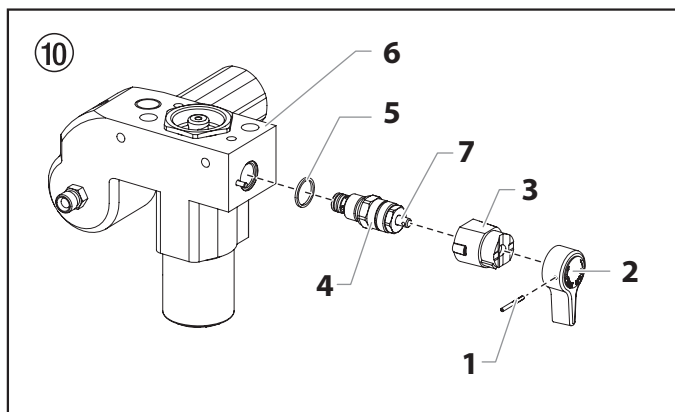
11. Reparaciones en el aparato



**Desconectar el equipo OFF (DES).
Antes de toda reparación – extraer la clavija de red la caja de enchufe.**

11.1 Válvula de descarga

1. Quitar con un punzón de 2 mm el pasador cónico hendido (Fig. 10, Pos. 1) del agarradero de la válvula de descarga (2).
2. Extraer el agarradero de la válvula de descarga (2) y el tope de arrastre (3).
3. Desenroscar la caja de válvula (4) completa con una llave ajustable por rodillo sin fin.
4. Verificar el asiento correcto de la junta (5), luego enroscar una nueva caja de válvula (4) completa en la caja de escala cromática (6). Apretar con llave ajustable por rodillo sin fin.
5. Alinear el tope de arrastre (3) en el taladro de la caja de escala cromática (6). Deslizar el tope de arrastre y untarlo con grasa de máquinas.
6. Alinear para que el taladro coincida con el eje de válvula (7) y el agarradero de la válvula de descarga (2).
7. Colocar el pasador cónico hendido (1) y poner el agarradero de la válvula de descarga en la posición PRIME/SPRAY.



11.2 Válvula de admisión y escape

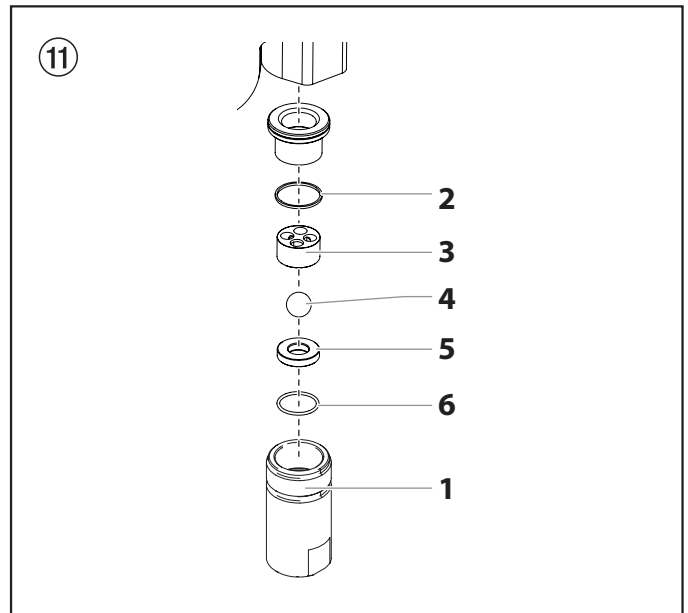
1. Desenroscar los cuatro tornillos de la tapa frontal, quitar la tapa frontal.
2. Conectar (ON) y desconectar (OFF) el equipo, de modo que la pistón articulada quede en posición de carrera inferior.



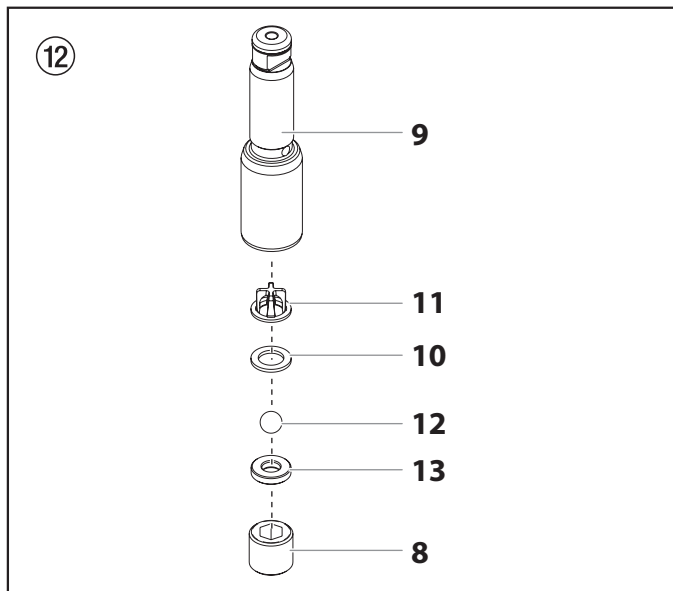
Peligro de contusión – No meter la mano o alguna herramienta entre las piezas que están en movimiento.

3. Extraer la clavija de red de la caja de enchufe.
4. Quitar la grapa de sujeción del codo de empalme en la manguera de aspiración, extraer la manguera de aspiración.
5. Desenroscar la manguera de retorno.
6. Girar el equipo en 90° hacia atrás para permitir trabajar más fácilmente en la bomba de transporte de material.
7. Desenroscar la caja de válvula de admisión (Fig. 11, Pos. 1) de la caja de escala cromática.
8. Desmontar la junta inferior (2), la guía de bola inferior (3), la bola de válvula de admisión (4), el encaje de válvula de admisión (5) y el anillo tórico (6).
9. Limpiar todas las piezas con agente limpiador apropiado.

Comprobar el desgaste de la caja de válvula de admisión (1), el encaje de válvula de admisión (5) y la bola de válvula de admisión (4), sustituir las si es necesario. Si el encaje de válvula de admisión (5) tiene desgaste por un solo lado, montarlo volteado.

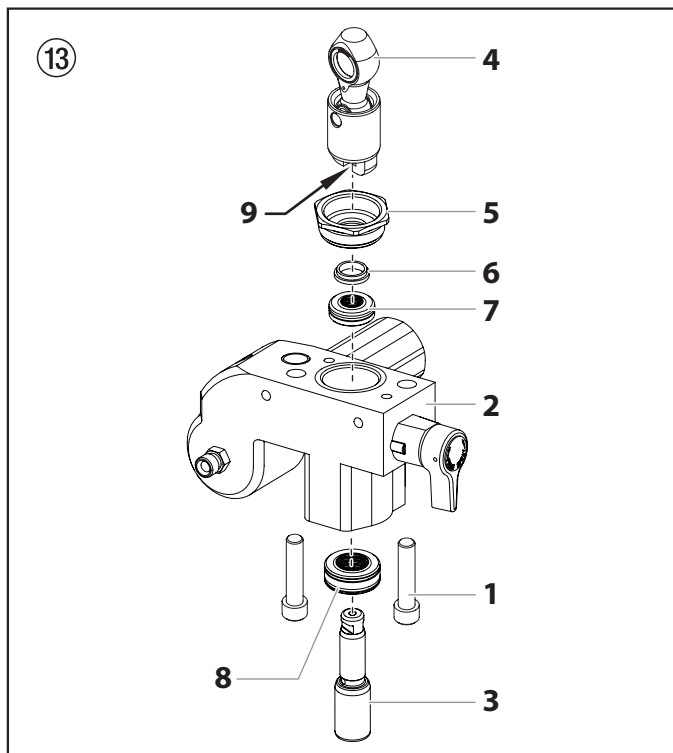


10. Desenroscar la caja de válvula de escape (Fig. 12, Pos. 8) del pistón (9) con llave ajustable por rodillo sin fin.
11. Desmontar la guía de bola superior (11), arandela (10), la bola de válvula de escape (12) y el encaje de válvula de escape (13).
12. Limpiar todas las piezas con agente limpiador apropiado. Comprobar el desgaste de la caja de válvula de escape (8), el encaje de válvula de escape (13), la bola de válvula de escape (12), arandela (10) y la guía de bola superior (11), y sustituir si es necesario. Si el encaje de válvula de escape (13) está intacto en un solo lado, montarlo volteado.
13. Realizar el montaje en orden inverso. Untar el anillo tórico (Fig. 11, Pos. 6) con grasa de máquinas y prestar atención al asiento correcto en la caja de válvula de admisión (Fig. 11, Pos. 1).

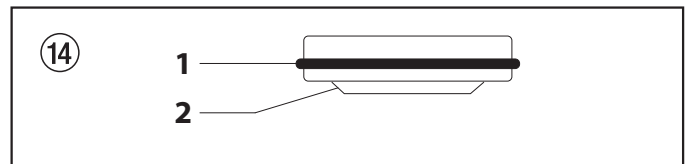


11.3 Empaquetaduras

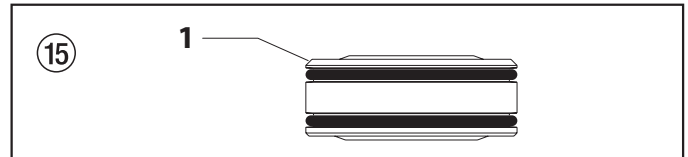
1. Desmontar la caja de válvula de admisión conforme a los pasos en capítulo 11.2, página 36.
2. No es necesario desmontar la válvula de escape.
3. Desenroscar los dos tornillos de cabeza cilíndrica (Fig. 13, Pos. 1) con un destornillador para tornillos de cabeza hexagonal de 3/8 pulgadas de la caja de escala cromática (2).
4. Desliza el caja de la bomba (2) y el pistón (3) hacia delante hasta que éste último salga de la ranura en T (9) del conjunto deslizante (4).
5. Deslizar el pistón (3) hacia abajo, fuera de la caja de escala cromática (2).
6. Desenroscar la tuerca guía (5) de la caja de escala cromática (2) y quitar la guía del pistón (6).
7. Quitar la empaquetadura superior (7) y las empaquetaduras inferiores (8) de la caja de escala cromática (2).



8. Limpiar la caja de escala cromática (2).
9. Untar la empaquetadura superior (7) y las empaquetaduras inferiores (8) con grasa de máquinas.
10. Colocar la empaquetadura superior (Fig. 14) con anillo tórico (1) y labio saliente (2) hacia abajo.



11. Inserte la empaquetadura inferior (Fig. 15) con el borde biselado (1) mirando hacia arriba.



12. Colocar la guía de pistón (Fig. 13, Pos. 6) en la tuerca guía (6). Enroscar la tuerca guía (6) en la caja de escala cromática (2) y apretarla a mano.
13. Deslizar la herramienta de montaje (empaquetaduras de recambio en el volumen de suministro) desde arriba en el pistón.
14. Untar la herramienta de montaje y el pistón (3) con grasa de máquinas.
15. Introducir el pistón (3) desde abajo en la caja de escala cromática (2) a través de las empaquetaduras inferiores (8). Dar golpes suaves con un martillo de goma por abajo del pistón (3), hasta que aparezca por encima de la caja de escala cromática.
16. Retirar la herramienta de montaje del pistón (3).
17. Apretar con llave ajustable por rodillo sin fin la tuerca guía (5) con cuidado.
18. Desliza la parte superior del pistón (3) dentro de la ranura en T (9) del conjunto deslizante (4).
19. Coloque el colector de la bomba (2) debajo del alojamiento de la unidad de engranajes y tire hacia arriba hasta que quede apoyado contra dicho alojamiento.
20. Fijar la caja de escala cromática (2) en la caja de engranajes.
21. Atornillar la caja de escala cromática (2) en la caja de engranajes firmemente.
22. Untar con grasa de máquinas el anillo tórico (Fig. 11, Pos. 6) entre la caja de escala cromática (2) y la caja de válvula de admisión. Atornillar la caja de válvula de admisión en la caja de escala cromática.
23. Inserte el codo en el conjunto de sifón hasta el fondo de la carcasa del vástago impulsor. Presione la abrazadera de retención hacia arriba hasta la ranura dentro de la carcasa de la válvula de retención para fijar el conjunto de sifón en su lugar. Coloque el tubo de retorno sobre su conexión y fijelo con la abrazadera.
24. Montar la tapa frontal.

12. Apéndice

12.1 Selección de boquillas

La selección de la boquilla es muy importante para obtener un funcionamiento racionalizado correcto.

En muchos casos, la boquilla correcta se puede determinar únicamente mediante un ensayo de pulverización.

Algunas reglas al respecto:

El chorro de pulverizado debe ser uniforme.

Si se presentan franjas en el chorro de pulverizado, la presión de pulverización es muy escasa o la viscosidad del material de recubrimiento demasiado alta.

Remedio: Elevar la presión o diluir el material de recubrimiento. Cada bomba rinde una determinada cantidad de transporte en relación al tamaño de la boquilla:

Rige fundamentalmente: boquilla grande = presión baja
boquilla pequeña = presión alta

Hay disponible un surtido grande de boquillas para diversos ángulos de pulverización.

12.2 Mantenimiento y limpieza de las boquillas de metal duro Airless

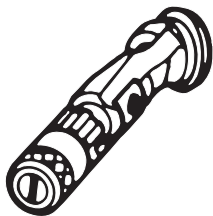
Boquillas estándar

Si se tiene montada una versión distinta de la boquilla, efectuar la limpieza de acuerdo con las indicaciones del fabricante.

La boquilla posee un orificio que se ha elaborado con la más alta precisión. A fin de alcanzar una vida útil prolongada, es necesario un tratamiento conservante. ¡Tenga presente que el suplemento de metal duro es bronco! No arrojar nunca la boquilla, ni tampoco tratarla con objetos metálicos con cantos agudos.

1. Abrir la válvula de descarga, posición de válvula PRIME (↻ circulación).
2. Desconectar el equipo.
3. Desmontar la boquilla de la pistola de pulverización.
4. Colocar la boquilla en el respectivo agente limpiador hasta que se hayan disuelto todos los restos de material de recubrimiento.
5. Si se dispone de aire comprimido, soplar la boquilla.
6. Quitar los posibles restos con un palillo de dientes u objeto de madera semejante.
7. Comprobar la boquilla con ayuda de una lupa y, si es necesario, repetir los pasos 4 a 6.

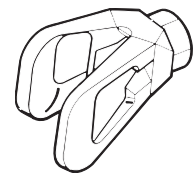
12.3 Accesorios de pistola de pulverización



Boquilla de ajuste del chorro en abanico
hasta 250 bar (25 MPa)

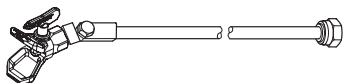
Marcación de boquilla	Orificio mm	Ancho del pulverizado a unos 30 cm de distancia con en abancio al objeto chorro de pulverización, presión 100 bar (10 MPa)	Utilización	Boquilla de ajuste del chorro en abancio N° de ped
15	0,13 - 0,46	5 - 35 cm	Lacas	341-015
20	0,18 - 0,48	5 - 50 cm	Lacas, rellenos	341-020
28	0,28 - 0,66	8 - 55 cm	Lacas, pinturas de dispersion	341-028
41	0,43 - 0,88	10 - 60 cm	Pinturas antioxidantes- Pinturas de dispersión	341-041
49	0,53 - 1,37	10 - 40 cm	Pinturas para- superficies grandes	341-049

Protección contra contactos para la boquilla de ajuste del chorro en abanico



Nº. de ped **450-100A**

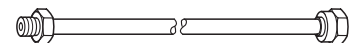
Prolongación de boquilla con articulación acodada ebatible (sin boquilla)



Longitud: 90 cm N° de ped. **310-390**
Longitud: 180 cm N° de ped. **0279976**

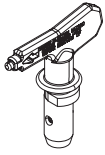
Prolongación de boquilla

15 cm, F-thread, N° de ped. **651-121**
30 cm, F-thread, N° de ped. **651-122**
45 cm, F-thread, N° de ped. **651-123**
60 cm, F-thread, N° de ped. **651-124**

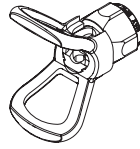


15 cm, G-thread, N° de ped. **651-070**
30 cm, G-thread, N° de ped. **651-071**
45 cm, G-thread, N° de ped. **651-072**
60 cm, G-thread, N° de ped. **651-073**

12.4 Tabla de boquillas Airless



**Titan
SC6+ boquilla**
hasta 270 bar
(27 MPa)



Sin boquilla
rosca G (7/8 - 14 UNF)
para pis tolas de pulverización
Graco/Titan
Nº de ped. 0289228



Todas las boquillas de la siguiente tabla se entregan conjuntamente con el filtro de pistola adecuado.

Aplicación	Marcación de boquilla	Ángulo de pulverización	Orificio inch / mm	Ancho mm ¹⁾	Filtro de pistola	Nº de ped.
Lacas y esmaltes diluibles en agua y con contenido de disolvente, aceites, agentes separadores	107	10°	0,007 / 0,18	100	rojo	662-107
	207	20°	0,007 / 0,18	120	rojo	662-207
	307	30°	0,007 / 0,18	150	rojo	662-307
	407	40°	0,007 / 0,18	190	rojo	662-407
	109	10°	0,009 / 0,23	100	rojo	662-109
	209	20°	0,009 / 0,23	120	rojo	662-209
	309	30°	0,009 / 0,23	150	rojo	662-309
	409	40°	0,009 / 0,23	190	rojo	662-409
	509	50°	0,009 / 0,23	225	rojo	662-509
609	60°	0,009 / 0,23	270	rojo	662-609	
Lacas de resina sintética Lacas PVC	111	10°	0,011 / 0,28	100	rojo	662-111
	211	20°	0,011 / 0,28	120	rojo	662-211
	311	30°	0,011 / 0,28	150	rojo	662-311
	411	40°	0,011 / 0,28	190	rojo	662-411
	511	50°	0,011 / 0,28	225	rojo	662-511
	611	60°	0,011 / 0,28	270	rojo	662-611
Lacas, lacas previas Lacas de fondo Rellenos	113	10°	0,013 / 0,33	100	rojo	662-113
	213	20°	0,013 / 0,33	120	rojo	662-213
	313	30°	0,013 / 0,33	150	rojo	662-313
	413	40°	0,013 / 0,33	190	rojo	662-413
	513	50°	0,013 / 0,33	225	rojo	662-513
	613	60°	0,013 / 0,33	270	rojo	662-613
Rellenos Pinturas antioxidantes	115	10°	0,015 / 0,38	100	amarillo	662-115
	215	20°	0,015 / 0,38	120	amarillo	662-215
	315	30°	0,015 / 0,38	150	amarillo	662-315
	415	40°	0,015 / 0,38	190	amarillo	662-415
	515	50°	0,015 / 0,38	225	amarillo	662-515
	615	60°	0,015 / 0,38	270	amarillo	662-615
Pinturas antioxidantes Pinturas látex Pinturas de dispersión	117	10°	0,017 / 0,43	100	amarillo	662-117
	217	20°	0,017 / 0,43	120	amarillo	662-217
	317	30°	0,017 / 0,43	150	amarillo	662-317
	417	40°	0,017 / 0,43	190	amarillo	662-417
	517	50°	0,017 / 0,43	225	amarillo	662-517
	617	60°	0,017 / 0,43	270	amarillo	662-617
Pinturas antioxidantes Pinturas látex Pinturas de dispersión	219	20°	0,019 / 0,48	120	blanco	662-219
	319	30°	0,019 / 0,48	150	blanco	662-319
	419	40°	0,019 / 0,48	190	blanco	662-419
	519	50°	0,019 / 0,48	225	blanco	662-519
	619	60°	0,019 / 0,48	270	blanco	662-619
	719	70°	0,019 / 0,48	300	blanco	662-719
Protección contra incendios	221	20°	0,021 / 0,53	120	blanco	662-221
	321	30°	0,021 / 0,53	150	blanco	662-321
	421	40°	0,021 / 0,53	190	blanco	662-421
	521	50°	0,021 / 0,53	225	blanco	662-521
	621	60°	0,021 / 0,53	270	blanco	662-621
	721	70°	0,021 / 0,53	300	blanco	662-721
	821	80°	0,021 / 0,53	330	blanco	662-821

1)Ancho del pulverizado a unos 30cm de distancia al objeto de pulverización y a una presión de 100bar (10MPa) con laca de resina sintética, 20 segundos DIN.

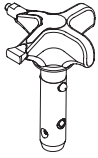


Todas las boquillas de la siguiente tabla se entregan conjuntamente con el filtro de pistola adecuado.

Aplicación	Marcación de boquilla	Ángulo de pulverización	Orificio inch / mm	Ancho mm ¹⁾	Filtro de pistola	Nº de ped.
Recubrimiento de tejados	223	20°	0,023 / 0,58	120	blanco	662-223
	323	30°	0,023 / 0,58	150	blanco	662-323
	423	40°	0,023 / 0,58	190	blanco	662-423
	523	50°	0,023 / 0,58	225	blanco	662-523
	623	60°	0,023 / 0,58	270	blanco	662-623
	Materiales de capa gruesa, protección anticorrosiva, masilla de pistola	225	20°	0,025 / 0,64	120	blanco
325		30°	0,025 / 0,64	150	blanco	662-325
425		40°	0,025 / 0,64	190	blanco	662-425
525		50°	0,025 / 0,64	225	blanco	662-525
625		60°	0,025 / 0,64	270	blanco	662-625
227		20°	0,027 / 0,69	120	blanco	662-227
327		30°	0,027 / 0,69	150	blanco	662-327
427		40°	0,027 / 0,69	190	blanco	662-427
527		50°	0,027 / 0,69	225	blanco	662-527
627		60°	0,027 / 0,69	270	blanco	662-627
229		20°	0,029 / 0,75	120	blanco	662-229
329		30°	0,029 / 0,75	150	blanco	662-329
429		40°	0,029 / 0,75	190	blanco	662-429
529		50°	0,029 / 0,75	225	blanco	662-529
629		60°	0,029 / 0,75	270	blanco	662-629
231		20°	0,031 / 0,79	120	blanco	662-231
331		30°	0,031 / 0,79	150	blanco	662-331
431		40°	0,031 / 0,79	190	blanco	662-431
531		50°	0,031 / 0,79	225	blanco	662-531
631		60°	0,031 / 0,79	270	blanco	662-631
731		70°	0,031 / 0,79	300	blanco	662-731
831		80°	0,031 / 0,79	330	blanco	662-831
233		20°	0,033 / 0,83	120	blanco	662-233
333		30°	0,033 / 0,83	150	blanco	662-333
433		40°	0,033 / 0,83	190	blanco	662-433
533		50°	0,033 / 0,83	225	blanco	662-533
633		60°	0,033 / 0,83	270	blanco	662-633
235		20°	0,035 / 0,90	120	blanco	662-235
335		30°	0,035 / 0,90	150	blanco	662-335
435		40°	0,035 / 0,90	190	blanco	662-435
535		50°	0,035 / 0,90	225	blanco	662-535
635		60°	0,035 / 0,90	270	blanco	662-635
735		70°	0,035 / 0,90	300	blanco	662-735
439	40°	0,039 / 0,99	190	blanco	662-439	
539	50°	0,039 / 0,99	225	blanco	662-539	
639	60°	0,039 / 0,99	270	blanco	662-639	
Aplicaciones pesadas	443	40°	0,043 / 1,10	190	verde	662-443
	543	50°	0,043 / 1,10	225	verde	662-543
	643	60°	0,043 / 1,10	270	verde	662-643
	445	40°	0,045 / 1,14	190	verde	662-445
	545	50°	0,045 / 1,14	225	verde	662-545
	645	60°	0,045 / 1,14	270	verde	662-645
	451	40°	0,051 / 1,30	190	verde	662-451
	551	50°	0,051 / 1,30	225	verde	662-551
	651	60°	0,051 / 1,30	270	verde	662-651
	455	40°	0,055 / 1,40	190	verde	662-455
	555	50°	0,055 / 1,40	225	verde	662-555
	655	60°	0,055 / 1,40	270	verde	662-655

1)Ancho del pulverizado a unos 30cm de distancia al objeto de pulverización y a una presión de 100bar (10MPa) con laca de resina sintética, 20 segundos DIN.

12.5 Tabla de boquillas de TR²



La innovadora boquilla dispone de dos pasos de boquilla en una.



Boquilla de TR² soporte
Nº de ped. 0271065

Aplicación	Marcación de boquilla (1 / 2)	Ángulo de pulverización (1 / 2)	Orificio 1 inch / mm	Orificio 2 inch / mm	Ancho 1 mm *	Ancho 2 mm *	Filtro de pistola	Nº de ped.
Armarios, muebles y cubiertas	311/107	30°/10°	0,011 / 0,28	0,007 / 0,18	150	100	rojo	692-311
	313/109	30°/10°	0,013 / 0,33	0,009 / 0,23	150	100	rojo	692-313
Puertas y molduras	415/111	40°/10°	0,015 / 0,38	0,011 / 0,28	190	100	amarillo	692-415
	417/113	40°/10°	0,017 / 0,43	0,013 / 0,33	190	100	blanco	692-417
Látex u óleo para exteriores	515/211	50°/20°	0,015 / 0,38	0,011 / 0,28	225	120	amarillo	692-515
Látex para exteriores	517/213	50°/20°	0,017 / 0,43	0,013 / 0,33	225	120	blanco	692-517
	519/213	50°/20°	0,019 / 0,48	0,013 / 0,33	225	120	blanco	692-519
	521/215	50°/20°	0,021 / 0,53	0,015 / 0,38	225	120	blanco	692-521
Masilla para bloques	535/223	50°/20°	0,035 / 0,90	0,023 / 0,58	225	120	verde	692-535
	635/327	60°/30°	0,035 / 0,90	0,027 / 0,69	270	150	verde	692-635
Compuesto para juntas diluido	627/321	60°/30°	0,027 / 0,69	0,021 / 0,53	270	150	verde	692-627
	831/321	80°/30°	0,031 / 0,79	0,021 / 0,53	330	150	verde	692-831
Látex WideSpray	1223/315	120°/30°	0,023 / 0,58	0,015 / 0,38	540	150	blanco	692-1223
	1231/317	120°/30°	0,031 / 0,79	0,017 / 0,43	540	150	blanco	692-1231
Muro cortafuegos	525/331	50°/30°	0,035 / 0,90	0,031 / 0,79	225	150	verde	692-525331

* Ancho del pulverizado a unos 30cm de distancia al objeto de pulverización y a una presión de 100bar (10MPa) con laca de resina sintética, 20 segundos DIN.

12.6 Accesorios adicionales para el modelo 560e

Nº de ped.	Denominación
580-050	Pistola pulverizadora LX-80, manguera y boquilla
580-100A	Pistola pulverizadora LX-80 II con boquilla 517
316-505	Manguera sin aire de 1/4" x 50'
314-482	Liquid Shield™ LS-10, 946 ml
314-480	Piston Lube™, botella de 8 oz.
0508071	PaintMate, 946 ml

Aviso!

Atenção: Perigo de ferimentos por injeção!

Unidades sem ar desenvolvem pressões de pulverização extremamente elevadas.



1

Nunca coloque os dedos, mãos ou qualquer outra parte do corpo no jacto!

Nunca aponte a pistola de pulverização em direcção a si, outras pessoas ou animais.

Nunca utilize a pistola de pulverização sem protecção de segurança. Não trate um ferimento provocado por pulverização como um corte inofensivo. Se o ferimento cutâneo foi provocado por materiais de revestimento ou solventes, consulte imediatamente um médico para um tratamento rápido e especializado. Informe o médico quanto ao material de revestimento ou solvente utilizado.

2

As instruções de funcionamento indicam que os pontos apresentados em seguida devem ser sempre observados antes do arranque:

1. As unidades avariadas ou com defeito não devem ser utilizadas.
2. Segure na pistola de pulverização Titan utilizando o fecho de segurança no gatilho.
3. Certifique-se de que a unidade tem ligação à terra apropriada.
4. Verifique a pressão de funcionamento permitida do tubo de alta pressão e pistola de pulverização.
5. Verifique se as ligações apresentam fugas.

3

As instruções relativas à limpeza e manutenção regulares devem estritamente observadas.

Antes de realizar qualquer trabalho na unidade ou em cada pausa de trabalho, as seguintes regras devem ser respeitadas:

1. Alivie a pressão da pistola de pulverização e do tubo.
2. Segure na pistola de pulverização Titan utilizando o fecho de segurança no gatilho.
3. Desligar a unidade.

Esteja atento à segurança!






Índice

	Página		Página
1. Normas de segurança para a pulverização Airless	46	8. Limpar a unidade (fora de serviço)	55
1.1 Explicação dos símbolos utilizados	46	8.1 Limpar a unidade por fora	55
1.2 Segurança elétrica.....	49	8.2 Filtro de sucção	56
1.3 Carga electrostática (formação de faíscas ou chama).....	49	8.3 Limpar o filtro de alta pressão	56
		8.4 Limpar a pistola de pulverização Airless.....	56
2. Visão geral da aplicação	50	9. Solução em caso de falhas	57
2.1 Aplicação	50		
2.2 Materiais de revestimento	50	10. Manutenção	58
3. Descrição da unidade	50	10.1 Manutenção geral	58
3.1 Processo Airless.....	50	10.2 Tubo flexível de alta pressão.....	8
3.2 Funcionamento da unidade.....	50	11. Reparações na unidade	58
3.3 Legenda para o diagrama explanatório Performance Series 560e	51	11.1 Válvula de descarga.....	58
3.4 Diagrama explanatório Performance Series 560e.....	51	11.2 Válvula de admissão e válvula de escape.....	58
3.5 Dados técnicos	52	11.3 Empanques.....	59
3.6 Transporte num veículo.....	52	11.4 Substituir o conjunto do motor	60
4. Colocação em funcionamento	52	11.5 Substituir as engrenagens	60
4.1 Tubo flexível de alta pressão, pistola de pulverização e óleo de separação	52	11.6 Substituir o transdutor	61
4.2 Indicadores do painel de controlo	53	11.7 Diagrama de conexão Performance Series 560e	61
4.3 Regulação do botão regulador da pressão.....	53	12. Apêndice	62
4.4 Ligação à rede de alimentação.....	54	12.1 Selecção do bico.....	62
4.5 Limpeza de agentes de conservação no arranque inicial	54	12.2 Manutenção e limpeza dos bicos de metal duro Airless	62
4.6 Colocar a unidade em funcionamento com material de revestimento	54	12.3 Acessórios da pistola de pulverização	62
5. Técnica de pulverização	54	12.4 Quadro dos bicos Airless	63/64
6. Manusear o tubo flexível de alta pressão	55	12.5 Quadro dos bicos TR ²	65
7. Interrupção do trabalho	55	12.6 Acessórios adicionais para 560e.....	65
		Acessórios e peças sobresselentes	66
		Diagrama das peças sobresselentes para o conjunto principal.....	66
		Lista das peças sobresselentes para a secção de fluido	68
		Lista das peças sobresselentes para a unidade de comando	70
		Lista das peças sobresselentes da estrutura.....	72
		Lista das peças sobresselentes para o sistema de sucção	73
		Garantia	75

1. Normas de segurança para a pulverização Airless

1.1 Explicação dos símbolos utilizados

Este manual contém informação que tem de ser lida e compreendida antes de o equipamento ser utilizado. Quando chegar a uma secção que tenha um dos seguintes símbolos, preste especial atenção e certifique-se de que está atento à salvaguarda.

	Este símbolo indica um potencial perigo que pode causar ferimentos graves ou perda de vida. Segue-se importante informação de segurança.
 Atención	Este símbolo indica um potencial perigo para o utilizador ou para o equipamento. Seguem-se informações importantes que informam como evitar danos no equipamento ou causas de ferimentos ligeiros.
	Perigo de ferimentos por injeção
	Perigo de incêndio
	Risco de explosão
	Perigo de vapores perigosos
	As notas dão informações importantes às quais devem ser dadas especial atenção.



PERIGO: Ferimento causado pela injeção

Atenção: Perigo de ferimentos por injeção! Um fluxo de alta pressão produzido por este equipamento pode perfurar a pele e os tecidos subjacentes, provocando lesões graves e possível amputação.

Não trate um ferimento provocado por pulverização como um corte inofensivo. Se o ferimento cutâneo foi provocado por materiais de revestimento ou solventes, consulte imediatamente um médico para um tratamento rápido e especializado. Informe o médico quanto ao material de revestimento ou solvente utilizado.

PREVENÇÃO:

- NUNCA aponte a pistola para qualquer parte do corpo.
- NUNCA deixe qualquer parte do corpo tocar no escoamento de fluidos. NÃO deixe que haja contacto entre o corpo e uma fuga no tubo flexível de líquido.
- NUNCA ponha a mão à frente da pistola. As luvas não fornecem protecção contra um ferimento causado pela injeção.
- Engate SEMPRE o gatilho da pistola, feche a bomba do líquido e liberte toda a pressão antes de efectuar procedimentos de manutenção, limpar o protector do bico, mudar os bicos, ou deixar sem vigilância. A pressão não será libertada ao desligar o motor. A válvula PRIME/SPRAY (ESCORVAR/PULVERIZAR) ou a válvula de alívio de pressão tem de ser rodada para as posições adequadas para libertar a pressão do sistema.
- Mantenha SEMPRE o protector do bico colocado. O protector do bico fornece alguma protecção, mas é sobretudo um avisador.
- Remova SEMPRE o bico antes da lavagem ou limpeza do sistema.
- NUNCA utilize uma pistola pulverizadora sem um fecho e protector do gatilho estarem colocados.
- Todos os acessórios não devem exceder a pressão de trabalho máxima do

pulverizador. Isto inclui bicos, pistolas, extensões e tubo flexível.



PERIGO: Tubo flexível de alta pressão

O tubo flexível para pintura pode desenvolver fugas através do desgaste, dobragem e abuso. Uma fuga pode injectar material na pele. Inspeccione o tubo antes de cada utilização.

PREVENÇÃO:

- A mangueira de alta pressão deverá ser integralmente verificada antes de cada utilização.
- Substituir imediatamente um tubo de alta pressão danificado.
- Nunca reparar, você próprio, um tubo de alta pressão danificado!
- Evitar dobrar muito, menor raio de dobragem de aproximadamente 20 cm.
- Não passar por cima do tubo de alta pressão e protegê-lo de objectos afiados e de cantos.
- Nunca puxar pela mangueira de alta pressão para movimentar o aparelho.
- Não rodar a mangueira de alta pressão.
- Não operar a mangueira de alta pressão com solventes. Limpar a parte exterior somente com um pano humedecido.
- Colocar a mangueira de alta pressão de forma a que não exista o perigo de tropeçar.



Por motivos de funcionamento, segurança e durabilidade, utilize apenas tubos de alta pressão originais da Titan.



PERIGO: Explosão ou incêndio

Os vapores inflamáveis provenientes de solventes e tintas podem inflamar-se ou explodir. Podem ocorrer lesões graves e/ou danos materiais.

PREVENÇÃO:

- Não use materiais com um ponto de inflamação inferior a 38° C (100° F). O ponto de inflamação é a temperatura na qual um líquido pode produzir vapores suficientes para se incendiar.
- Não utilize a unidade em locais de trabalho que estão abrangidos por normas de protecção anti-exploração.
- Proporcione um bom fornecimento de ar fresco para manter o ar dentro da área de aplicação sem acumulação de vapores inflamáveis.
- Evite todas as fontes de ignição, tais como faíscas de electricidade estática, electrodomésticos, chamas, luzes piloto, objectos quentes e faíscas ao ligar e desligar os cabos de alimentação ou a funcionar com interruptores.
- Não fume na área de pintura.
- Coloque o equipamento a uma distância suficiente do objeto a pintar numa área bem ventilada (adicione mais tubo, se for necessário). Os vapores inflamáveis são geralmente mais pesados do que o ar. A área deve estar extremamente bem ventilada. A bomba contém partes curvas que emitem faíscas e podem incendiar os vapores.
- O equipamento e os objectos na área de pintura ou em redor devem estar devidamente ligados à terra para evitar faíscas estáticas.
- Utilize apenas um tubo flexível condutor ou com ligação à terra para líquidos a alta pressão. A pistola deve ser ligada à terra através das conexões do tubo flexível.
- Deve conectar-se o cabo eléctrico a uma tomada com ligação à terra (apenas unidades eléctricas).
- Lave sempre a unidade dentro de um recipiente metálico separado, com a bomba a baixa pressão e com o bico

removido. Encoste firmemente a pistola à parte lateral do recipiente para o ligar à terra e evitar faíscas estáticas.

- Siga as advertências e as instruções do fabricante do material e do solvente.
- Use a pressão mais baixa possível para lavar o equipamento.
- Quando limpar a unidade com solventes, este nunca deve ser pulverizado ou bombeado para um receptáculo com uma pequena abertura. Poderá formar-se uma mistura de ar/gás explosivo. O receptáculo deve ter ligação à terra.



PERIGO: Vapores perigosos
intas, solventes e outros materiais podem ser nocivos se inalados ou se entrarem em contacto com o corpo. Os vapores podem causar náuseas graves, desmaio ou envenenamento.

PREVENÇÃO:

- Utilize protecção respiratória quando pulverizar. Leia todas as instruções fornecidas com a máscara para se certificar de que obtém a protecção necessária.
- Todas as normas locais no que se refere à protecção contra vapores perigosos devem ser cumpridas.
- Use óculos de protecção.
- É necessário usar vestuário de protecção, luvas e, possivelmente, creme de protecção para proteger a pele. Respeite as normas do fabricante quanto a materiais de revestimento, solventes e agentes de limpeza em unidades de preparação, processamento e limpeza.



PERIGO: Geral

Este produto pode causar lesões graves ou danos materiais.

PREVENÇÃO:

- Siga todos os códigos locais, estatais e nacionais que regulamentam a ventilação, prevenção de incêndios e funcionamento.
- Carregar no gatilho causa uma força de repulsão na mão que segura a pistola. A força de repulsão da pistola de pulverização é particularmente forte quando o bico está retirado e há alta pressão na bomba. Quando limpar sem um bico, reduza o botão regulador da pressão para o valor mínimo.
- Utilize apenas componentes autorizados pelo fabricante. O utilizador assume todo o risco e responsabilidades ao utilizar componentes que não cumpram as especificações mínimas e dispositivos de segurança do fabricante da bomba.
- Antes de cada utilização, verifique se todos os tubos flexíveis não têm cortes, fugas, desgaste ou inchaço do revestimento. Verifique se há danos ou movimento das uniões. Substitua imediatamente o tubo flexível se existir alguma destas condições. Nunca repare um tubo flexível de pintura. Substitua-o por outro tubo flexível com ligação à terra para alta pressão.
- Certifique-se de que o tubo de ar e os tubos de pulverização estão direccionados de forma a minimizar o qualquer perigo de queda, tropeçamento e escorregamento.
- Siga SEMPRE as instruções do material do fabricante para um manuseio seguro da pintura e dos solventes.
- Limpe imediatamente todo o material e derrames de solventes de forma a evitar qualquer perigo de escorregamento.
- Use protecção para os ouvidos. Esta unidade pode produzir níveis de ruído acima dos 85 dB(A).
- Nunca deixe este equipamento sem vigilância. Mantenha afastado das crianças ou de qualquer pessoa que não saiba trabalhar com equipamento a alta pressão.
- Não pinte nos dias ventosos.

- O dispositivo e todos os líquidos relacionados (ou seja, óleo hidráulico) devem ser deitados fora de maneira que respeite o ambiente.
- Este aparelho não deve ser manuseado por pessoas (incluindo crianças) com limitações a nível físico, sensorial ou intelectual, nem sem experiência e/ou sem os conhecimentos necessários, a não ser que sejam monitorizadas por uma pessoa responsável pela sua segurança ou que lhes sejam transmitidas as devidas instruções relativamente à utilização do aparelho. As crianças deverão ser vigiadas, a fim de garantir que não brincam com o aparelho.



Caso o cabo de ligação à rede deste aparelho seja danificado, o mesmo terá de ser substituído pelo fabricante ou pelo respectivo serviço de apoio ao cliente ou por pessoal qualificado para o efeito, de modo a prevenir a ocorrência de acidentes.

1.2 Segurança eléctrica

Os modelos eléctricos devem ser ligados à terra. No caso de ocorrer um curto-circuito eléctrico, a ligação à terra reduz o risco de choque eléctrico, fornecendo um fio de escape para a corrente eléctrica. Este produto está equipado com um cabo que tem um fio de terra com uma ficha de ligação à terra adequada. Efectue a ligação à corrente eléctrica apenas através de um ponto de alimentação especial, p.ex. através de uma instalação de protecção anti-erro com $INF \leq 30$ mA.



PERIGO - Trabalhos ou reparações no equipamento eléctrico só podem ser realizados por um electricista devidamente qualificado para o efeito. Não se assume qualquer responsabilidade por uma instalação incorrecta. Desligar o aparelho. Antes de todas as reparações – retirar a ficha de alimentação da tomada.

Perigo de curto-circuito por penetração na água! Nunca pulverize a unidade com equipamento de alta pressão ou vapor de alta de pressão.

Trabalhos ou reparações no equipamento eléctrico:

Estes trabalhos só devem ser realizados por um electricista devidamente qualificado. Não se assume qualquer responsabilidade por uma instalação incorrecta.

1.3 Carga electrostática (formação de faíscas ou chama)



Em determinadas circunstâncias, pode verificar-se uma carga electrostática no aparelho, devido ao fluxo do material de revestimento durante a pulverização. Ao ser descarregado, poderá verificar-se a formação de faíscas ou chamas. Daí que seja necessário que o aparelho esteja sempre ligado à terra através da instalação eléctrica. A ligação deve realizar-se através de uma tomada de dois pólos com ligação terra adequada.

A carga electrostática das pistolas de pulverização e do tubo de alta pressão é libertada através do tubo de alta pressão. Por este motivo, a resistência eléctrica entre as ligações do tubo de alta pressão deve ser igual ou inferior a 197 k Ω /m (60 k Ω /ft.).

2. Visão geral da aplicação

2.1 Aplicação

O desempenho da Performance Series 560e foi concebido de forma a permitir a utilização de tintas de dispersão em interiores, tanto em pequenos como em objectos de média dimensão.

Exemplos de objectos de pulverização

Na área da pintura, os dois aparelhos são adequados para todos os trabalhos normais, tais como por exemplo: portas, molduras de portas, parapeitos, móveis, revestimentos de madeira, vedações, radiadores e peças de aço.

2.2 Materiais de revestimento

Materiais de revestimento processáveis



Preste atenção à qualidade Airless dos materiais de revestimento a serem processados.

Vernizes e tintas diluíveis ou que contêm solventes, materiais de revestimento com dois componentes, dispersões, tintas de látex.

Nenhum outro material deve ser usado para pulverizar sem a autorização da Titan.

Filtração

Apesar do filtro de sucção e do filtro de inserção na pistola de pulverização, geralmente recomenda-se que o material de revestimento seja filtrado.

Agitar bem o material de revestimento antes de iniciar o trabalho.



Atenção: Ao agitar com agitadores accionados por motor, certifique-se de que não se formam bolhas de ar. Visto que estas dificultam a pulverização e também podem interromper o funcionamento.

Viscosidade

Com esta unidade, é possível processar materiais de revestimento altamente viscosos até cerca de 20.000 MPa-s.

Se não for possível efectuar a sucção dos materiais de revestimento altamente viscosos, estes devem ser diluídos de acordo com as instruções do fabricante.

Material de revestimento com dois componentes

O tempo de processamento adequado deve ser cumprido. Durante este tempo, a unidade deverá ser lavada e limpa cuidadosamente com os agentes de limpeza adequados.

Materiais de revestimento com materiais adicionais de canto vivo

Estes exercem um forte efeito de deterioração nas válvulas, no tubo de alta pressão, na pistola de pulverização e no bico. O que pode reduzir significativamente a durabilidade destas peças.

3. Descrição da unidade

3.1 Processo Airless

As áreas principais de aplicação são camadas grossas de material de revestimento altamente viscoso para grandes superfícies e um elevado consumo de material.

Uma bomba de pistão suga o material de revestimento e transporta-o para o bico. Comprimido através do bico a uma pressão máxima de 22,1 MPa (221 bar), o material de revestimento é atomizado. Esta alta pressão tem o efeito de microatomização do material de revestimento.

Como nenhum ar é utilizado neste processo, é descrito como um processo AIRLESS (sem ar).

Este método de pulverização tem as vantagens de se obter a melhor atomização, um funcionamento perfeito e uma superfície lisa sem bolhas. Tal como estas, devem ser mencionadas as vantagens da velocidade de trabalho e a grande manobrabilidade.

3.2 Funcionamento da unidade

A secção seguinte contém uma breve descrição da construção técnica para melhor compreensão do funcionamento.

As unidades Titan 560e são unidades de pulverização de alta pressão accionadas electricamente.

Um grupo de engrenagens transfere a força motriz para um eixo de manivela. O eixo de manivela faz os pistões da bomba de alimentação subir e descer.

A válvula de admissão é aberta automaticamente pelo movimento ascensional do pistão. A válvula de escape é aberta quando o pistão se move para baixo.

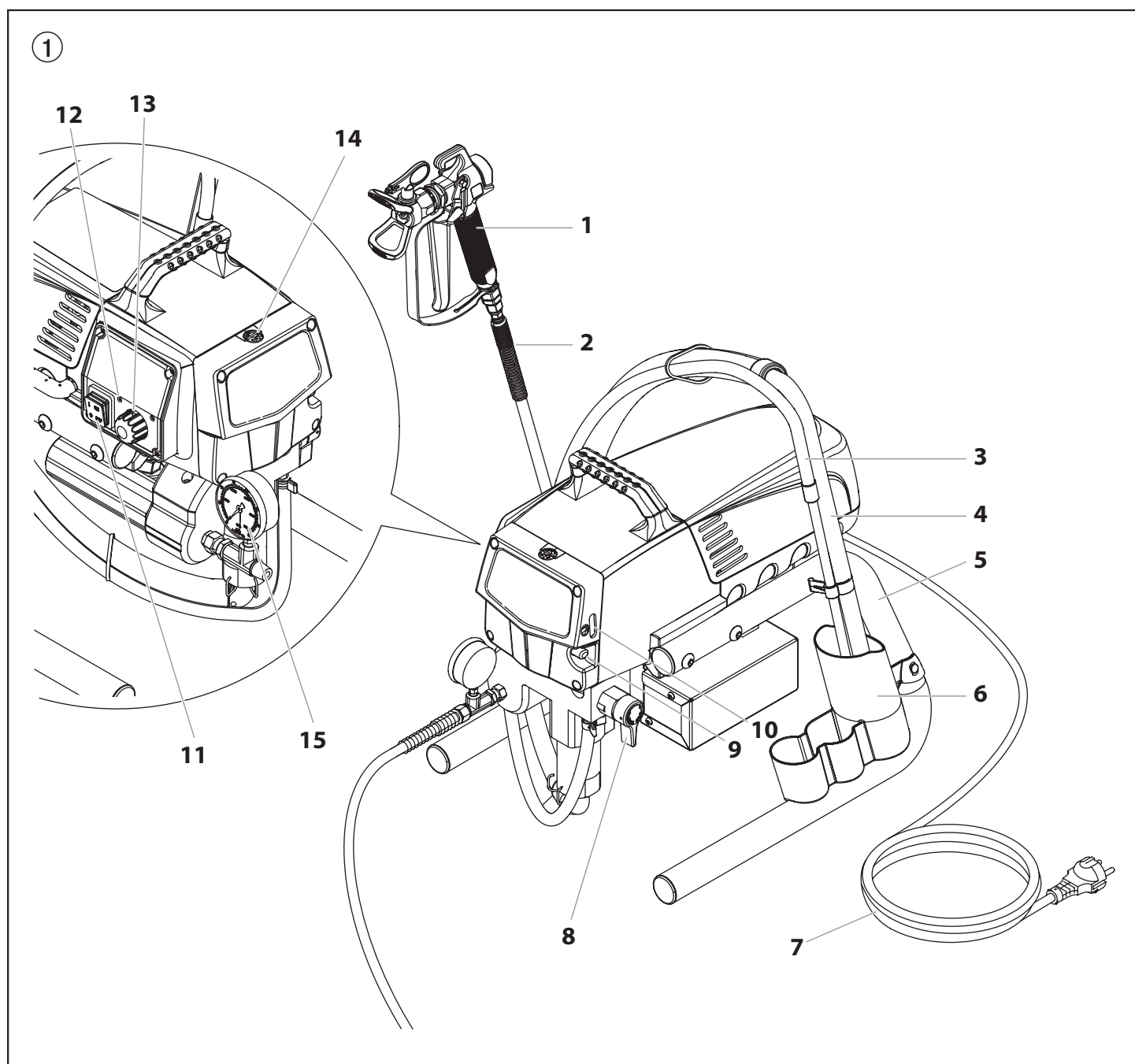
O material de revestimento flui sob alta pressão através do tubo flexível de alta pressão para a pistola de pulverização. Quando o material de revestimento sai do bico, atomiza-se.

O regulador da pressão regula o volume e a pressão de funcionamento do material de revestimento.

3.3 Legenda para o diagrama explanatório Performance Series 560e

- | | |
|----------------------------------|--|
| 1. Pistola de pulverização | 9 Botão do óleo |
| 2. Tubo flexível de alta pressão | 10 Indicador de nível do óleo |
| 3. Tubo de retorno | 11 Interruptor ON/OFF (Ligar/Desligar) |
| 4. Tubo de sucção | 12 Indicadores do painel de controlo |
| 5. Estrutura | 13 Botão regulador da pressão |
| 6. Recipiente de gotejamento | 14 Recipiente de óleo para o Piston Lube
(o Piston Lube evita o desgaste excessivo dos empanques) |
| 7. Cabo de alimentação | 15 Manómetro |
| 8. Válvula de descarga | |
- Manípulo na posição vertical – ESCORVAR (↻ circulação)
 Manípulo na posição horizontal – PULVERIZAR (☞)

3.4 Diagrama explanatório Performance Series 560e



3.5 Dados técnicos

Voltagem	
	220~240 VAC, 50/60 Hz ou 100~120 VAC, 50/60 Hz
Consumo máx. de corrente	
220~240 VAC	4,5 A
100~120 VAC	12 A
Cabo de alimentação	
	Página 70
Capacidade de aceitação	
	1035 Watt
Pressão máx. de funcionamento	
	221 bar (22,1 MPa)
Fluxo de volume a 120 bar (12 MPa) com água	
	2,0 l/min
Tamanho máx. do bico	
	0,023 polegada – 0,58 mm
Temperatura máx. do material de revestimento	
	43°C
Viscosidade máx.	
	20.000 MPa·s
Peso	
	17,9 kg
Tubo flexível de alta pressão especial	
	DN 6 mm, 15 m união roscada M16 x 1,5
Dimensões (C x L x A)	
	437 x 363 x 416 mm
Altitude	
	Questo apparecchio opera correttamente fino a 2000 m sul livello del mare medio
Vibração	
	A pistola de pulverização não excede 2,5m/s ²
Nível máx. de pressão sonora	
	80 dB*

* Lugar de medição: 1 m de distância da unidade e 1,6 m acima do solo, pressão de funcionamento de 12 MPa (120 bar), solo reverberante.

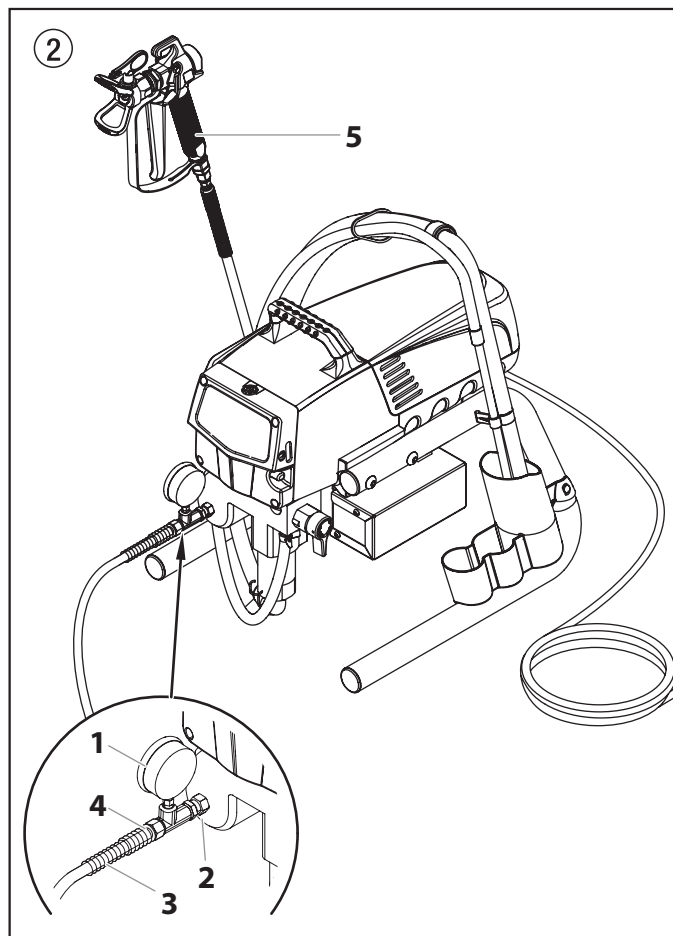
3.6 Transporte num veículo

Prenda bem a unidade com uma fixação adequada.

4. Colocação em funcionamento

4.1 Tubo flexível de alta pressão, pistola de pulverização e óleo de separação

1. Enrosque o manómetro (1) na saída de material de revestimento (Fig. 2, Item 2).
2. Enrosque o tubo flexível de alta pressão (3) na saída de material de revestimento no manómetro (Fig. 2, Item 4).
3. Enrosque a pistola de pulverização (5) com o bico seleccionado no tubo flexível de alta pressão.
4. Aperte firmemente as porcas de união nos tubos flexíveis de alta pressão para o material de revestimento não verter.



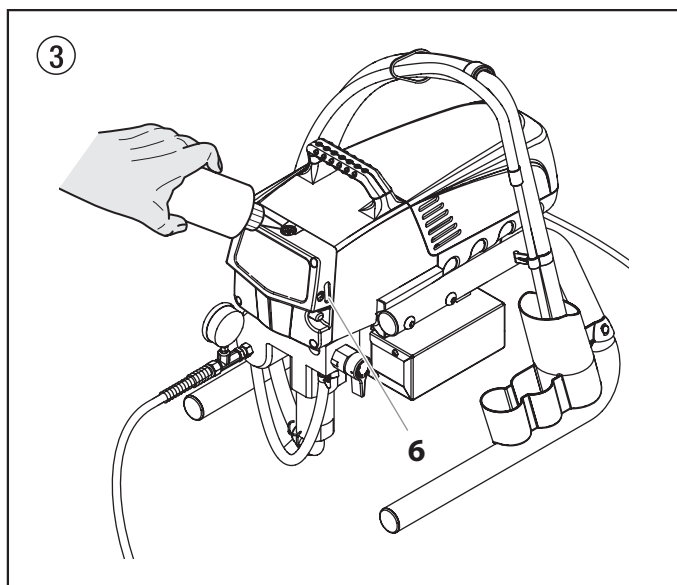
5. Remova a tampa do recipiente do óleo com uma chave de fenda.
6. Encha o recipiente do óleo com Piston Lube (Fig. 3) até o indicador do óleo (6) indicar que está cheio.



Atención

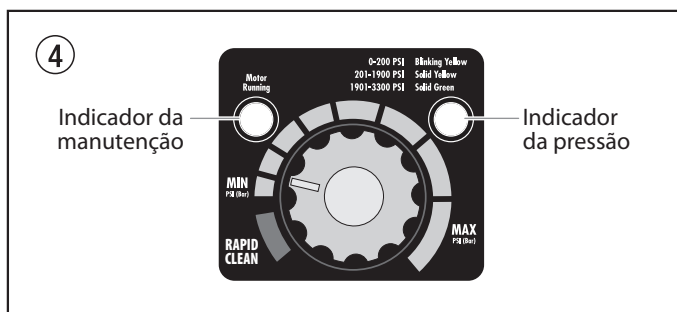
O Piston Lube evita o desgaste excessivo dos empanques e da haste do pistão.

7. Recoloque a tampa do recipiente do óleo.
8. Prima o botão do óleo 2-5 vezes para escorvar o lubrificador. Prima sempre uma vez após oito horas de utilização para lubrificar a secção de fluido.



4.2 Indicadores do painel de controlo

O que se segue é uma descrição dos indicadores do painel de controlo.



Indicador da Pressão

O indicador da pressão indica a pressão de funcionamento actual do pulverizador. Tem três indicações diferentes: amarelo intermitente, amarelo permanente e verde permanente..

Amarelo Intermitente

Quando o indicador da pressão fica amarelo intermitente, o pulverizador está a funcionar entre 0 e 200 PSI (0 e 1,4 MPa [14 bar]). Um indicador da pressão com amarelo intermitente significa:

- O pulverizador está conectado e ligado (ON)
- O pulverizador está na pressão de escorvamento (pouco ou sem pressão)
- É seguro mover a válvula de descarga entre as posições
- É seguro trocar ou substituir o bico do pulverizador



Se o indicador da pressão começar a ficar amarelo intermitente quando o botão regulador da pressão é ajustado para uma pressão mais elevada e a válvula de descarga estiver na posição SPRAY (PULVERIZAR), o bico do pulverizador está gasto ou o pulverizador necessita de manutenção/reparação.

Amarelo Permanente

Quando o indicador da pressão fica amarelo permanente, o pulverizador está a funcionar entre 201 PSI (1,4 MPa, 14 bar) e 1900 PSI (12 MPa, 120 bar). Um indicador da pressão com amarelo permanente significa:

- O pulverizador está regulado com a pressão adequada para pulverizar com corante, laca, verniz e múltiplas cores

Verde Permanente

Quando o indicador da pressão fica verde permanente, o pulverizador está a funcionar entre 1901 PSI (12 MPa, 120 bar) e 3300 PSI (23 MPa, 230 bar). Um indicador da pressão com verde permanente significa:

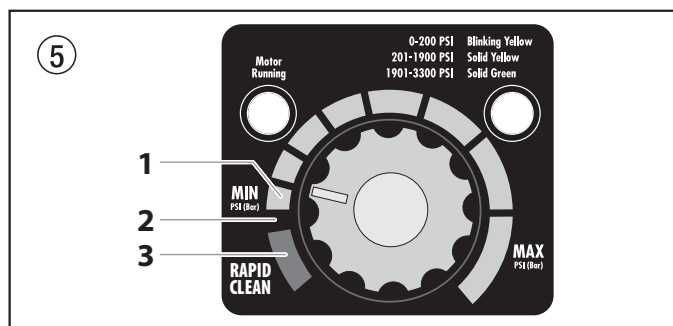
- O pulverizador está regulado com a pressão adequada para pulverizar com tintas látex e à base de óleo para casas
- O pulverizador está a funcionar no máximo rendimento numa regulação com pressão elevada
- Se o indicador da pressão ficar amarelo permanente quando a pressão é regulada de forma a que se inicie com verde permanente, indica um dos seguintes casos:
 - a. **Indicador do Desgaste do Bico** - quando se pulveriza com látex ou a uma pressão elevada, surge amarelo permanente. Isto significa que o bico está gasto e tem de ser substituído.
 - b. **Bico Demasiado Grande** - quando se coloca um bico que é demasiado grande para o pulverizador, o indicador da pressão passa de verde permanente para amarelo permanente.
 - c. **Desgaste da Secção de Fluido** - Se o indicador da pressão ficar amarelo permanente ao usar um novo bico e a pressão estiver regulada no valor máximo, poderá ser necessária a manutenção (empanques gastos, pistão gasto, válvula presa, etc....).

Indicador da Manutenção

O Indicador da manutenção fica activado quando o motor é controlado para trabalhar. Este indicador é usado pelos centros de manutenção para resolver problemas do motor.

4.3 Regulação do botão regulador da pressão (Fig. 5)

1. Regulação da pressão para o valor mínimo
2. Zona preto - sem geração de pressão
3. Zona azul - pressão pulsante para limpeza



4.4 Ligação à rede de alimentação



A unidade deve ser conectada a uma tomada segura adequadamente ligada à terra.

Antes de ligar a unidade à fonte de alimentação, certifique-se de que a voltagem corresponde à especificada na chapa de características da unidade.

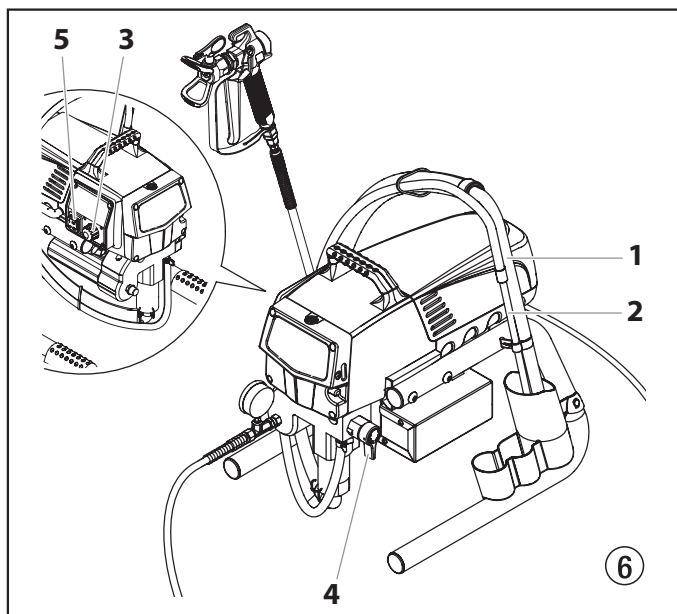
A ligação deve ser equipada com um dispositivo de protecção de corrente residual com INF ≤ 30 mA.



O programa de acessórios da Titan também inclui um dispositivo de protecção do operador móvel para o fornecimento electrónico, que também pode ser usado com outro equipamento electrónico.

4.5 Limpeza de agentes de conservação no arranque inicial

1. Deixe o tubo de sucção (Fig. 6, Item 1), ou o tubo flexível de sucção e o tubo de retorno (2), dentro de um recipiente com um agente de limpeza adequado.
2. Rode o botão regulador da pressão (3) para o valor mínimo.
3. Abra a válvula de descarga (4), posição da válvula ESCOVAR (↻ circulação).
4. Ligue a unidade (5) (ON).
5. Aguarde até o agente de limpeza sair do tubo de retorno.
6. Feche a válvula de descarga, posição da válvula PULVERIZAR (↻ pulverização).
7. Pressione o gatilho da pistola de pulverização.
8. Pulverize o agente de limpeza da unidade para um recipiente de recolha aberto.



4.6 Colocar a unidade em funcionamento com material de revestimento

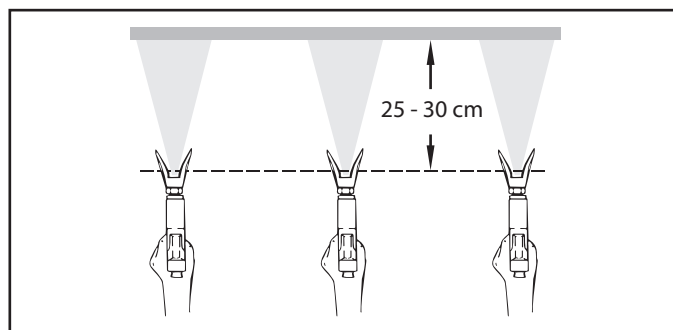
1. Deixe o tubo de sucção (Fig. 6, Item 1), ou o tubo flexível de sucção e o tubo de retorno (2), dentro do recipiente do material de revestimento.
2. Rode o botão regulador da pressão (3) para o valor mínimo.
3. Abra a válvula de descarga (4), posição da válvula ESCOVAR (↻ circulação).
4. Ligue a unidade (5) (ON).
5. Aguarde até que o material de revestimento saia do tubo de retorno e que não haja bolhas de ar.
6. Feche a válvula de descarga, posição da válvula PULVERIZAR (↻ pulverização).
7. Pressione várias vezes o gatilho da pistola de pulverização e pulverize num contentor de recolha até que o material de revestimento saia da pistola sem interrupção.
8. Aumente a pressão rodando lentamente o botão regulador de pressão.
Verifique o padrão de pulverização e aumente a pressão até a atomização estar correcta.
Rode sempre o botão regulador da pressão para o valor mínimo com boa atomização.
9. A unidade está pronta para pulverizar.

5. Técnica de pulverização

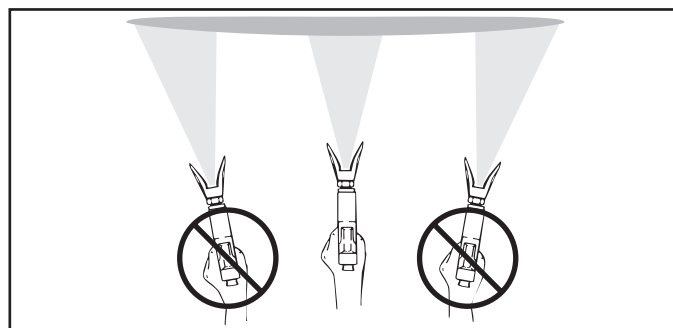


Perigo de injeção. Não comece a pintar sem que o protector do bico esteja instalado. NUNCA accione a pistola a menos que o bico esteja completamente rodado quer na posição de pulverização ou na de desobstrução. Bloqueie SEMPRE o dispositivo de segurança do gatilho antes de remover, substituir ou limpar o bico.

O fundamental num bom trabalho de pintura é obter uma camada regular sobre toda a superfície. Isto é feito com movimentos uniformes. Mantenha o movimento do braço num ritmo constante e mantenha a pistola a uma distância constante da superfície. A melhor distância de pulverização é de 25 a 30 cm entre o bico e a superfície.

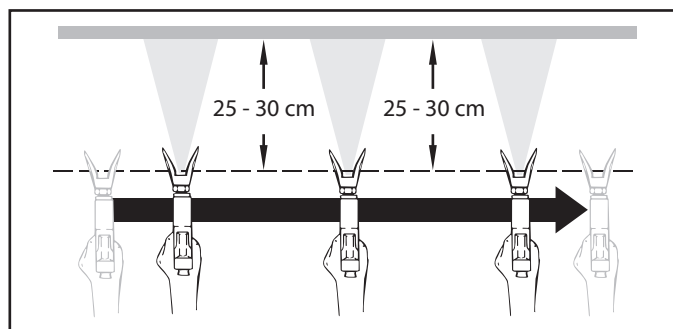


Mantenha a pistola nos ângulos correctos contra a superfície. Ou seja, mova o braço para a frente e para trás, em vez de flectir o pulso.



Mantenha a pistola perpendicular à superfície, caso contrário uma extremidade do padrão ficará mais grossa do que a outra.

Accione a pistola após iniciar a descarga. Largue o gatilho antes de finalizar a descarga. A pistola de pulverização deve mover-se quando o gatilho é premido e largado. Sobreponha cada camada cerca de 30%. Isto vai garantir um revestimento regular.



Se apresentar muitas arestas vivas ou se houver estrias no jacto de pulverização - aumente a pressão de funcionamento ou dilua o material de revestimento.

6. Manusear o tubo flexível de alta pressão

A unidade está equipada com um tubo flexível de alta pressão especialmente adequado para bombas de pistão.



Perigo de lesão através do tubo flexível de alta pressão com fugas. Substitua imediatamente qualquer tubo flexível de alta pressão danificado. Nunca repare um tubo flexível de alta pressão danificado!

Manusear cuidadosamente o tubo de alta pressão. Evitar dobrar muito, menor raio de dobragem de aproximadamente 20 cm. Não passar por cima do tubo de alta pressão e protegê-lo de objectos afiados e de cantos.

Nunca puxar pela mangueira de alta pressão para movimentar o aparelho.

Ter em atenção que a mangueira de alta pressão não se roda. Isto pode ser evitado usando uma pistola de pulverização da Titan com articulação e um enrolador.



Para o manuseamento do tubo de alta pressão aquando de trabalhos na estrutura de apoio reconheceu-se como mais vantajoso colocar a mangueira sempre do lado de fora da estrutura.



Com as mangueiras de alta pressão existe o risco de danos. A Titan recomenda a substituição da mangueira de alta pressão passados 6 anos.



Por razões de funcionamento, segurança e durabilidade, apenas utilize tubos flexíveis de alta pressão originais da Titan.

7. Interrupção do trabalho

1. Abra a válvula de descarga, posição da válvula ESCORVAR (↻ circulação).
2. Desligue a unidade (OFF).
3. Rode o botão regulador da pressão para a zona preta até não avançar mais (sem geração de pressão).
4. Pressione o gatilho da pistola de pulverização de forma a libertar a pressão do tubo flexível de alta pressão e da pistola de pulverização.
5. Fixe a pistola, consulte o manual de funcionamento da pistola de pulverização.
6. Se tiver de limpar um bico standardizado, veja a Página 62, Secção 12.2.
Se for colocado um bico não standardizado, execute de acordo com o manual de funcionamento correspondente.
7. Deixe o tubo de sucção e o tubo de retorno submerso no material de revestimento, ou deixe-os submersos num agente de limpeza adequado.



Se utilizar materiais de revestimento de dois componentes ou de secagem rápida, certifique-se de que a unidade é lavada com um agente de limpeza adequado dentro do tempo de processamento.

8. Limpar a unidade (fora de serviço)

A limpeza é o melhor método de garantir um funcionamento sem problemas. Depois de terminar a pulverização, limpe a unidade. Em nenhuma circunstância deve permanecer na unidade qualquer resto de material de revestimento seco e endurecido.

O agente de limpeza usado para limpar (apenas com um ponto de inflamação superior a 38 °C) deve ser adequado para o material de revestimento utilizado.

- **Fixe a pistola de pulverização**, consulte o manual de funcionamento da pistola de pulverização.

Limpar e remover o bico.

Para obter informações acerca do bico standardizado, consulte a Página 62, Secção 12.2.

Se for colocado um bico não standardizado, execute de acordo com o manual de funcionamento correspondente.

1. Remova o tubo de sucção ou o tubo flexível de sucção e o tubo de retorno do material de revestimento.
2. Feche a válvula de descarga, posição da válvula PULVERIZAR (↻ pulverização).
3. Ligue a unidade (ON).
4. Pressione o gatilho da pistola de pulverização de forma a bombear o restante material de revestimento do tubo de sucção, do tubo flexível de alta pressão e da pistola de pulverização para um recipiente aberto.



Atención

Para materiais de revestimento que contenham solventes, o recipiente deve estar ligado à terra.



Cuidado! Não bombeie ou pulverize num recipiente com abertura pequena (batoque)! Consulte as normas de segurança.

5. Mergulhe o tubo de sucção com o tubo de retorno num recipiente com um agente de limpeza.
6. Rode o botão regulador da pressão para o valor mínimo.
7. Abra a válvula de descarga, posição da válvula ESCORVAR (↻ circulação).
8. Bombeie um agente de limpeza adequado no circuito por alguns minutos.
9. Feche a válvula de descarga, posição da válvula PULVERIZAR (↻ pulverização).
10. Pressione o gatilho da pistola de pulverização.
11. Bombeie o restante agente de limpeza para um recipiente aberto até a unidade ficar vazia.
12. Desligue a unidade (OFF).

8.1 Limpar a unidade por fora



Primeiro, remova o cabo de alimentação da tomada.



Atención

Perigo de curto-circuito por penetração na água! Nunca pulverize a unidade com produtos de limpeza, ou a vapor, de alta pressão.



Atención

Não operar a mangueira de alta pressão com solventes. Limpar a parte exterior somente com um pano humedecido.

Limpe exteriormente a unidade com um pano contendo um agente de limpeza adequado.

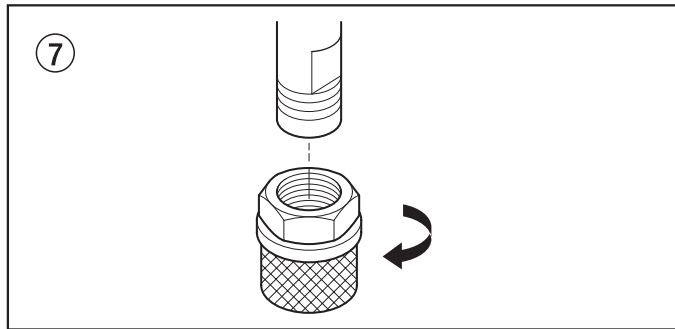
8.2 Filtro de sucção



Um filtro limpo garante sempre o máximo de quantidade transportada, pressão de pulverização constante e um correcto funcionamento da unidade.

1. Desenrosque o filtro (Fig. 7) do tubo de sucção.
2. Limpe ou substitua o filtro.

Execute a limpeza com um pincel duro e um agente de limpeza adequado



8.3 Limpar o filtro de alta pressão

Limpe regularmente o cartucho do filtro.

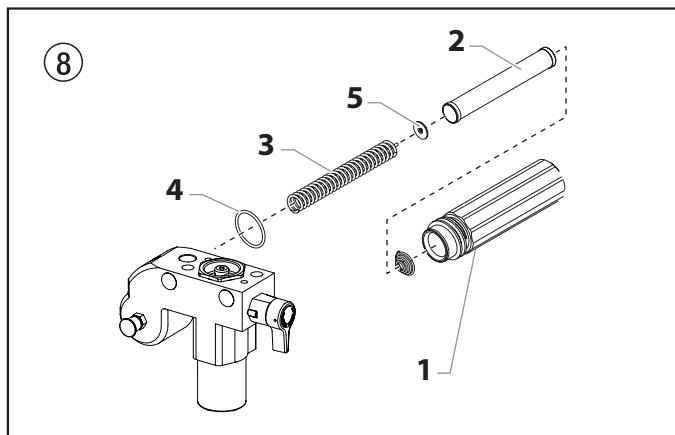
Um filtro de alta pressão sujo e entupido pode provocar um fraco padrão de pulverização ou entupir o bico.

1. Rode o botão regulador da pressão (3) para o valor mínimo.
2. Abra a válvula de descarga, posição da válvula PRIME (ESCORVAR) (↻ circulação).
3. Desligue a unidade (OFF).



Desconecte a ficha de alimentação da tomada

4. Desatarraxe o corpo do filtro (Fig. 8, Item 1) com uma chave de correia.
5. Retire o cartucho do filtro (2) da mola de suspensão (3).
6. Limpe todas as peças com o agente de limpeza correspondente. Se necessário, substitua o cartucho do filtro.
7. Examine o anel em O (4), substitua-o se necessário.
8. Coloque o anel de suspensão (5) junto à mola de suspensão (3). Passe o cartucho do filtro (2) pela mola de suspensão.
9. Atarraxe o corpo do filtro (1) e aperte o máximo possível com a chave de correia.



8.4 Limpar a pistola de pulverização Airless

1. Lave a pistola de pulverização Airless com um agente de limpeza adequado.
2. Limpe o bico minuciosamente com um agente de limpeza adequado para que não fique nenhum resíduo de material de revestimento.
3. Limpe minuciosamente o exterior da pistola de pulverização Airless.

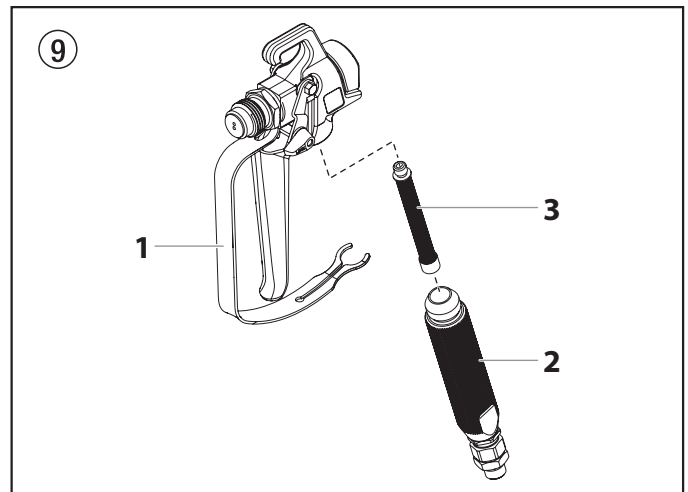
Filtro inserível na pistola de pulverização Airless (Fig 9).

Desmontar

1. Puxe a protecção (1) para a frente com força.
2. Desatarraxe a pega (2) do corpo da pistola. Remova o filtro inserível (3).
3. Quando o filtro estiver obstruído ou defeituoso, substitua-o.

Montar

1. Coloque o filtro (3) com o cone maior no corpo da pistola.
2. Atarraxe a pega (2) no corpo da pistola e aperte.
3. Encaixe a protecção (1).



9. Solução em caso de falhas

Tipo de avaria	Causa Possível	Medidas para eliminar a avaria
A. A unidade não arranca.	<ol style="list-style-type: none"> Nenhuma voltagem aplicada. Pressão demasiado reduzida. Interruptor ON/OFF (Ligar/Desligar) danificado. 	<ol style="list-style-type: none"> Verifique a voltagem. Rode o botão regulador da pressão. Substitua
B. A unidade não suga.	<ol style="list-style-type: none"> A válvula de descarga está posicionada para PULVERIZAR (→) pulverização). O filtro de sucção projecta-se acima do nível do fluido e suga ar. Filtro obstruído. O tubo de sucção está solto, ou seja, a unidade suga o ar exterior. 	<ol style="list-style-type: none"> Ajuste a válvula de descarga na posição ESCORVAR (↻ circulação). Encha novamente o material de revestimento. Limpe ou substitua o filtro.. Limpe os pontos de ligação. Substitua os anéis em O, se for necessário. Fixe o tubo de sucção com o grampo de retenção.
C. A unidade suga, mas a pressão não desenvolve	<ol style="list-style-type: none"> O bico está bastante gasto. O bico é demasiado largo. Pressão demasiado reduzida. O material de revestimento flui através do tubo de retorno quando a válvula de descarga está na posição PULVERIZAR (→) pulverização). Empanques viscosos ou gastos. Esferas das válvulas gastas. Sedes das válvulas gastas. 	<ol style="list-style-type: none"> Substitua Sobre a selecção de um bico mais pequeno, veja o Quadro dos bicos. Rode o botão regulador da pressão para a direita para aumentar. Remova e limpe, ou substitua, a válvula de descarga. Remova e limpe, ou substitua, os empanques. Remova e substitua as esferas das válvulas. Remova e substitua as sedes das válvulas.
D. O material de revestimento sai no topo da secção de fluido.	<ol style="list-style-type: none"> Empanque superior gasto. O pistão está gasto. 	<ol style="list-style-type: none"> Remova e substitua o empanque. Remova e substitua o pistão.
E. Pulsação aumentada na pistola de pulverização	<ol style="list-style-type: none"> Tubo flexível de alta pressão incorrecto. Bico gasto ou demasiado largo. Pressão demasiado alta. 	<ol style="list-style-type: none"> Por razões de funcionamento, segurança e durabilidade, apenas utilize tubos flexíveis de alta pressão originais da Titan. Substitua o bico. Rode o botão regulador da pressão para um valor inferior.
F. Fraco padrão de pulverização	<ol style="list-style-type: none"> O bico é demasiado largo para o material de revestimento a ser pulverizado. Regulação da pressão incorrecta. Volume demasiado reduzido. Viscosidade do material de revestimento demasiado alta. 	<ol style="list-style-type: none"> Sobre a substituição do bico, veja o Quadro dos bicos. Rode o botão regulador da pressão até obter um padrão de pulverização satisfatório. Limpe ou substitua todos os filtros. Dilua de acordo com as instruções do fabricante.
G. A unidade perde potência	<ol style="list-style-type: none"> Pressão demasiado reduzida. 	<ol style="list-style-type: none"> Rode o botão regulador da pressão para a direita para aumentar.

10. Manutenção

10.1 Manutenção geral

A manutenção da unidade deve ser executada uma vez por ano pelo serviço de manutenção da Titan.

1. Verifique se os tubos flexíveis de alta pressão, a linha de união e a ficha do dispositivo estão danificados.
2. Verifique se a válvula de admissão, a válvula de escape e o filtro estão gastos.

10.2 Tubo flexível de alta pressão

Examine visualmente se o tubo flexível de alta pressão tem cortes ou protuberância, em particular na transição nas conexões. As porcas de união devem poder rodar livremente.



Com as mangueiras de alta pressão existe o risco de danos. A Titan recomenda a substituição da mangueira de alta pressão passados 6 anos.

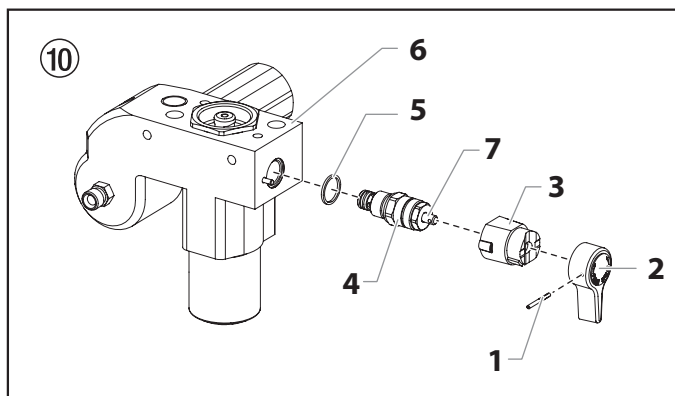
11. Reparações na unidade



**Desligue a unidade (OFF).
Antes de toda a reparação: Desconecte a ficha de alimentação da tomada.**

11.1 Válvula de descarga

1. Use um punção de montagem de 2 mm para remover o pino ranhurado (Fig. 10, Item 1) do manípulo da válvula de descarga (2).
2. Remova o manípulo da válvula de descarga (2) e a base de came (3).
3. Com uma chave inglesa, remova o corpo da válvula (4) do colector da bomba (6).
4. Certifique-se de que a vedação (5) está correctamente assentada, depois enrosque totalmente o novo corpo da válvula (4) no colector da bomba (6). Aperte firmemente com uma chave inglesa.
5. Ajuste a base de came (3) com o buraco no colector da bomba (6). Lubrifique a base de came com lubrificante e deslize nela.
6. Alinhe o buraco no eixo da válvula (7) e no manípulo da válvula de descarga (2).
7. Insira o pino ranhurado (1) para fixar o manípulo da válvula de descarga.



11.2 Válvula de admissão e válvula de escape

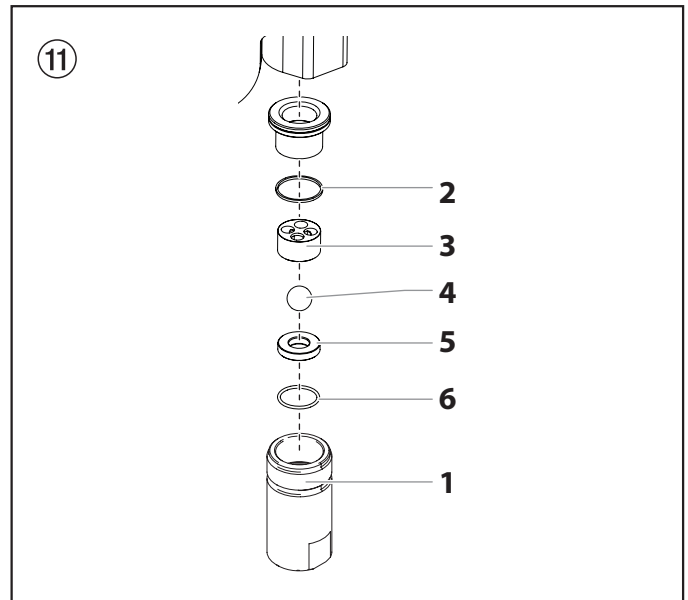
1. Remova os quatro parafusos da tampa frontal e remova-a.
2. Ligue a unidade (ON) e depois desligue-a (OFF) para que a pistão fique posicionada no curso inferior.



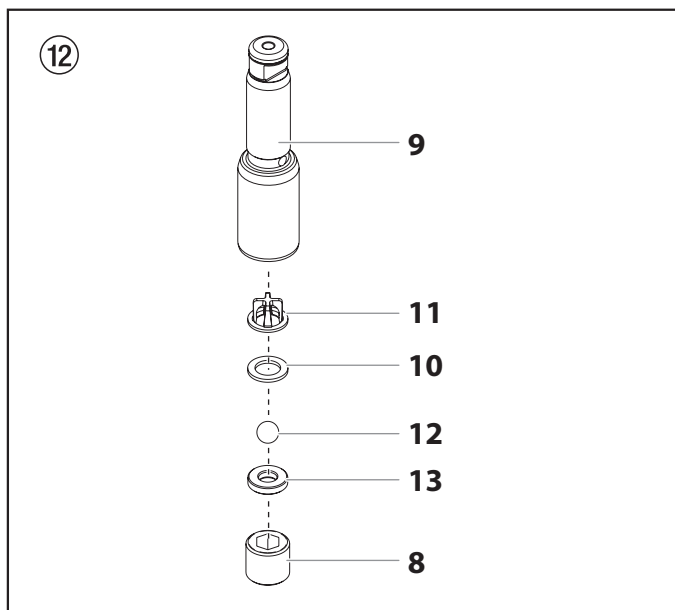
Perigo de esmagamento - não aproxime os dedos ou ferramentas entre as peças em movimento.

3. Desconecte a ficha de alimentação da tomada.
4. Remova o grampo de retenção do cotovelo de ligação no tubo de sucção e puxe-o.
5. Desatarraxe o tubo de retorno.
6. Gire a unidade 90° para a parte traseira de forma a funcionar mais facilmente na bomba de alimentação.
7. Desatarraxe o corpo da válvula de admissão (Fig. 11, Item 1) do colector da bomba.
8. Remova a vedação inferior (2), o guia de esfera inferior (3), a esfera da válvula de admissão (4), a sede da válvula de admissão (5) e o anel em O (6).
9. Limpe todas as peças com o agente de limpeza correspondente.

Verifique se o corpo (1), a sede (5) e a esfera da válvula de admissão (4) estão gastos e substitua as peças se for necessário. Se a sede gasta da válvula de admissão (5) está inutilizada num lado, instale-a ao contrário.

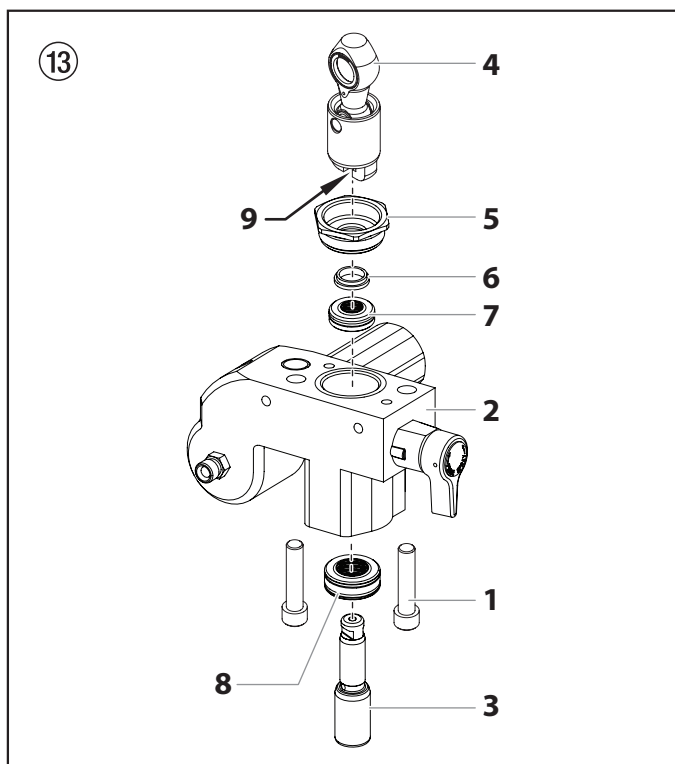


10. Desatarraxe o corpo da válvula de admissão (Fig. 12, Item 8) do pistão (9) com uma chave ajustável.
11. Remova o guia de esfera superior (11), arruela (10), a esfera da válvula de escape (12) e a sede da válvula de escape (13).
12. Limpe todas as peças com o agente de limpeza correspondente. Verifique se o corpo (8), a sede (13) e a esfera da válvula de escape (12), arruela (10) e o guia de esfera superior (11) estão gastos e substitua as peças se for necessário. Se a sede gasta da válvula de escape (13) está inutilizada num lado, instale-a ao contrário.
13. Execute a instalação na ordem inversa. Lubrifique o anel em O (Fig. 11, Item 6) com lubrificante de máquinas e certifique-se de que o corpo da válvula de admissão assenta adequadamente (Fig. 11, Item 1).

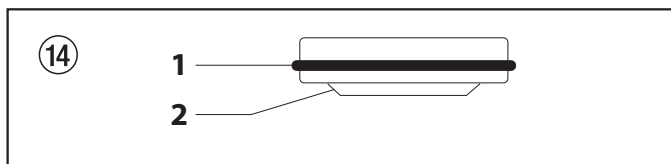


11.3 Empanques

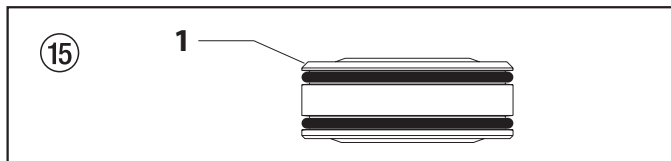
1. Remova o corpo da válvula de admissão de acordo com os passos no Capítulo 11.2, Página 58.
2. Não é necessário remover a válvula de escape.
3. Desaparafuse ambos os parafusos cilíndricos (Fig. 13, Item 1) do coletor da bomba (2) com uma chave de caixa hexagonal de 10 mm.
4. Deslize o coletor da bomba (2) e o pistão (3) para a frente até o pistão ficar fora da ranhura em T (9) no conjunto do mecanismo deslizante (4).
5. Empurre para baixo o pistão (3) do coletor da bomba (2).
6. Desatarraxe a porca de fixação (5) do coletor da bomba (2) e remova o guia do pistão (6).
7. Remova o empanque superior (7) e o empanque inferior (8) do coletor da bomba (2).



8. Limpe o coletor da bomba (2).
9. Lubrifique o empanque superior (7) e o empanque inferior (8) com lubrificante de máquinas.
10. Insira o empanque superior (Fig. 14) com o anel em O (1) e o lábio protuberante (2) para baixo.



11. Insira o empanque inferior (Fig. 15) com a borda biselada (1) virada para cima.



12. Insira o guia do pistão (Fig. 13, Item 6) na porca de fixação (5). Atarraxe a porca de fixação (5) no coletor da bomba (2) e aperte manualmente.
13. Empurre a ferramenta de instalação (incluída com os empanques de substituição) para o pistão (3) em cima no pistão.
14. Lubrifique a ferramenta de instalação e o pistão (3) com lubrificante de máquinas.
15. Guie o pistão (3) através dos empanques inferiores (8) no coletor da bomba (2) em baixo. Com um maço de borracha, toque levemente o pistão (3) em baixo, até poder ser visto por cima do coletor da bomba.
16. Remova a ferramenta de instalação do pistão (3).
17. Aperte cuidadosamente a porca de fixação (5) com uma chave ajustável.
18. Introduza o topo do pistão (3) na ranhura em T (9) no conjunto do mecanismo deslizante (4).
19. Coloque o coletor da bomba (2) por baixo do corpo do grupo de engrenagens e empurre até encostar.
20. Fixe o coletor da bomba (2) no corpo do grupo de engrenagens.
21. Aparafuse firmemente o coletor da bomba (2) ao corpo do grupo de engrenagens.
22. Lubrifique o anel em O (Fig. 11, Item 6) entre o coletor da bomba (2) e o corpo da válvula de admissão com lubrificante de máquinas. Atarraxe o corpo da válvula de admissão ao coletor da bomba.
23. Insira o cotovelo no conjunto do sifão na parte inferior do alojamento da haste do propulsor. Empurre o grampo de retenção na ranhura no interior do alojamento da válvula de pé para fixar o conjunto do sifão em posição. Coloque o tubo de retorno sobre a conexão do tubo de retorno e fixe com o grampo.
24. Instale a tampa frontal.

11.4 Substituir o conjunto do motor

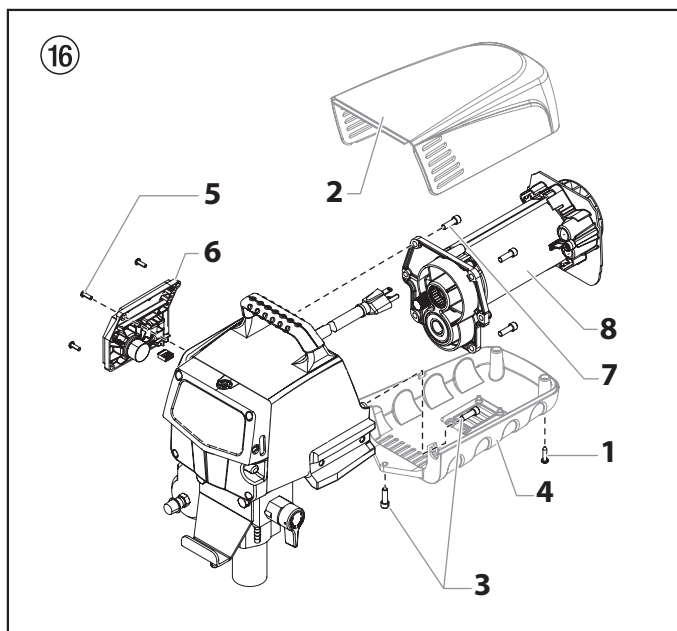
1. Abra a válvula de descarga, posição da válvula ESCORVAR (↻ circulação), desligue a unidade (OFF) e desconecte o cabo de alimentação.
2. Solte e remova os dois parafusos da tampa do motor (1). Remova a tampa do motor (2).
3. Solte e remova os três parafusos da proteção inferior (3). Remova a proteção inferior (4).
4. Na traseira do motor, desconecte o fio que vem do potenciômetro e o fio que vem do transdutor. Desconecte também os dois fios que vêm da placa do painel de controlo (consulte o esquema elétrico, secção 11.7).
5. Remova os quatro parafusos de montagem (5) do painel de controlo. Puxe para trás o painel de controlo (6) para ter acesso à placa do painel de controlo.
6. Na placa do painel de controlo, desconecte os dois fios que vêm do motor (consulte o esquema elétrico, secção 11.7).
7. Solte e remova os quatro parafusos de montagem do motor (7).
8. Retire o motor (8) do alojamento da bomba.



Se o motor não se deslocar do alojamento da bomba:

- Remova a placa de proteção frontal.
- Com um macete de borracha, bata com cuidado na parte da frente do eixo de manivela do motor que se prolonga através do conjunto do mecanismo deslizante.

9. Com o motor removido, inspecione se as engrenagens no alojamento da bomba têm danos ou desgaste excessivo. Substitua as engrenagens, se for necessário.
10. Instale o novo motor (8) no alojamento da bomba.
11. Fixe o motor com os quatro parafusos de montagem (7) do motor.
12. Volte a conectar os fios (consulte o esquema elétrico, secção 11.7).
13. Coloque o painel de controlo (6) no alojamento da bomba e fixe-o com os quatro parafusos de montagem do painel de controlo.
14. Volte a colocar a proteção inferior (4). Fixe com os três parafusos da proteção inferior (3).
15. Deslize a tampa do motor sobre o motor (2). Fixe a tampa do motor com os dois parafusos da tampa do motor (1).



11.5 Substituir as engrenagens

1. Abra a válvula de descarga, posição da válvula ESCORVAR (↻ circulação), desligue a unidade (OFF) e desconecte o cabo de alimentação.
2. Solte e remova os dois parafusos da tampa do motor (1). Remova a tampa do motor (2).
3. Solte e remova os três parafusos da proteção inferior (3). Remova a proteção inferior (4).
4. Na traseira do motor, desconecte o fio que vem do potenciômetro e o fio que vem do transdutor. Desconecte também os dois fios que vêm da placa do painel de controlo (consulte o esquema elétrico, secção 11.7).
5. Remova os quatro parafusos de montagem (5) do painel de controlo. Puxe para trás o painel de controlo (6) para ter acesso à placa do painel de controlo.
6. Na placa do painel de controlo, desconecte os dois fios que vêm do motor (consulte o esquema elétrico, secção 11.7).
7. Solte e remova os quatro parafusos de montagem do motor (7).
8. Retire o motor (8) do alojamento da bomba.



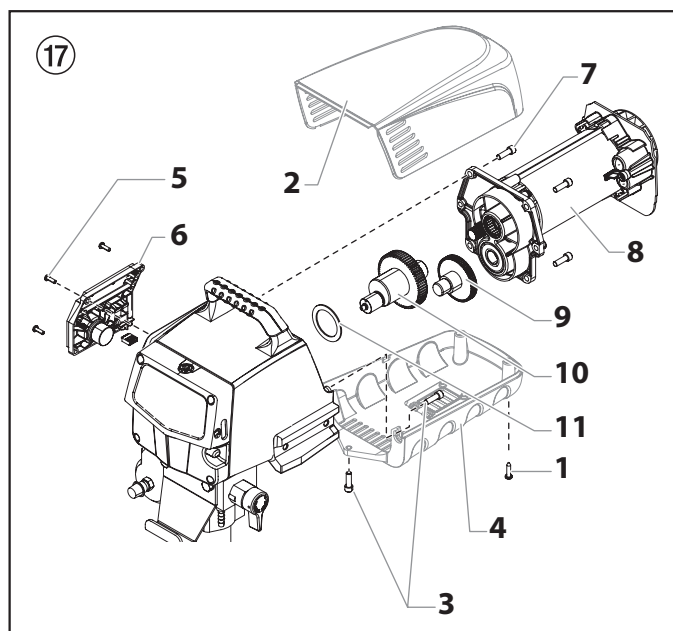
Se o motor não se deslocar do alojamento da bomba:

- Remova a placa de proteção frontal.
- Com um macete de borracha, bata com cuidado na parte da frente do eixo de manivela do motor que se prolonga através do conjunto do mecanismo deslizante.

9. Inspecione se a engrenagem do induzido na extremidade do motor tem danos ou desgaste excessivo. Se a engrenagem estiver totalmente gasta, substitua o motor todo.
10. Remova e inspecione se a engrenagem de 2º andar (9) tem danos ou desgaste excessivo. Substitua, se for necessário.
11. Remova e inspecione se o conjunto da engrenagem e manivela (10) têm danos ou desgaste excessivo. Substitua, se for necessário.
12. Volte a montar a bomba invertendo os passos acima descritos. Ao montar de novo, certifique-se de que a arruela de encosto (11) está na posição adequada.



Volte a encher a caixa de engrenagem no alojamento da bomba com cinco onças (148 ml) de Lubriplate (P/N 314-171).



11.6 Substituir o transdutor

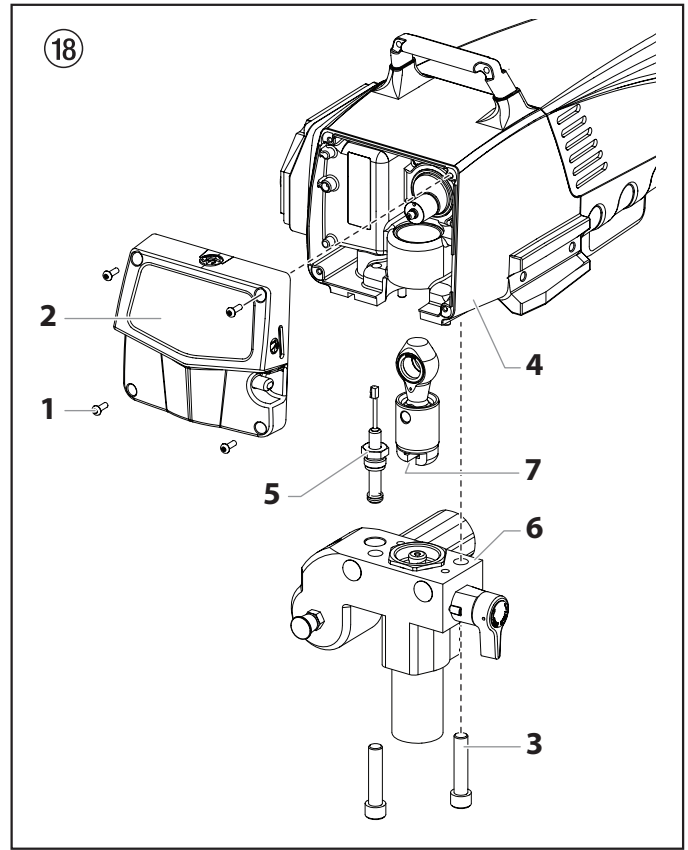
1. Solte e remova os quatro parafusos da tampa frontal (1). Remova a cobertura frontal (2).
2. Pare o pulverizador no fim do movimento para que o pistão fique na sua posição mais baixa.
3. Abra a válvula de descarga, posição da válvula ESCORVAR (circulação), desligue a unidade (OFF) e desconecte o cabo de alimentação.



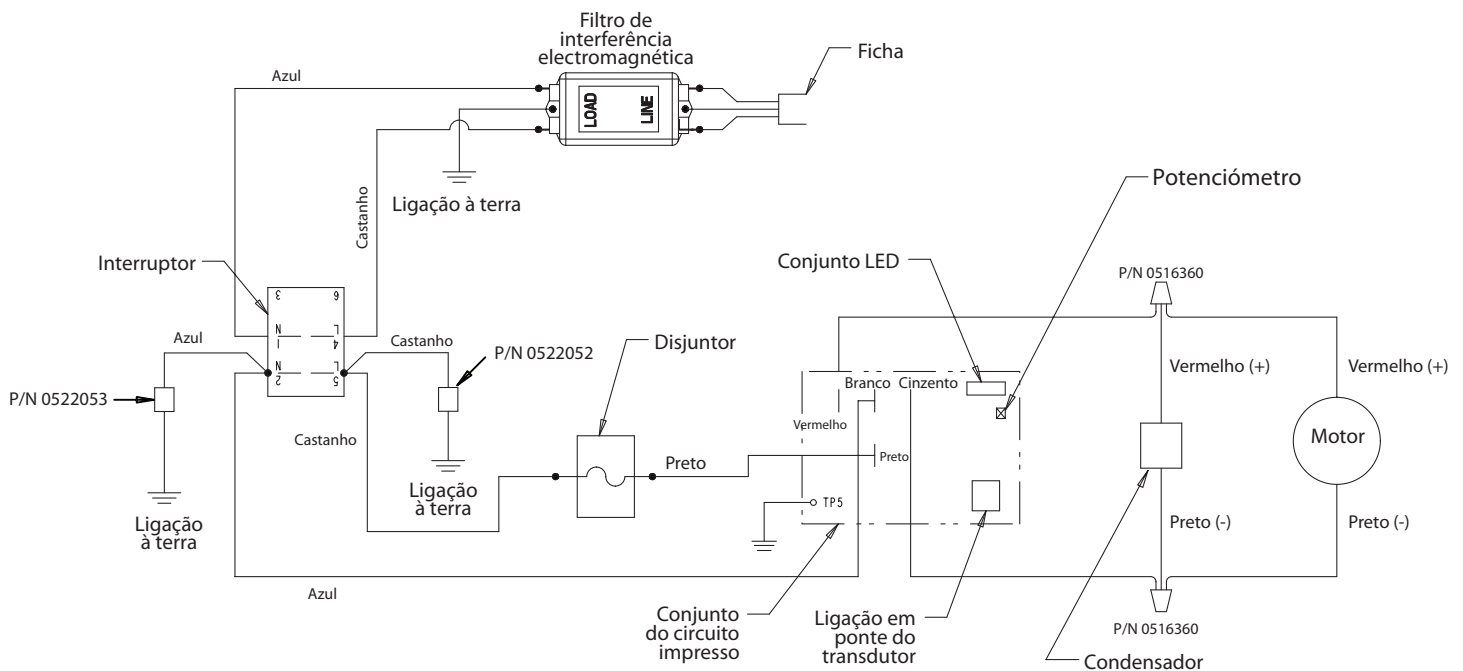
Antes de proceder, certifique-se de que a pressão foi toda libertada do sistema (ver passo 3, em cima). Adicionalmente, siga todas as outras advertências de forma a reduzir o risco de ferimentos causados por injeção, ao mover as peças, ou por choque elétrico. Desconecte sempre o pulverizador antes de efetuar a manutenção!

4. Incline a bomba para trás para obter um fácil acesso à secção de fluido.
5. Com uma chave sextavada 3/8", solte e remova os dois parafusos de montagem do bloco da bomba (3).
6. Puxe o bloco da bomba para baixo aproximadamente 1,27 cm do alojamento da bomba (4) para o transdutor (5) ficar livre.
7. Deslize o bloco da bomba (6) e a haste do pistão para a frente até a haste do pistão ficar fora da ranhura em T (7) no conjunto do mecanismo deslizante.
8. Retire cuidadosamente o fio do transdutor do alojamento da bomba até a conexão ao jumper do transdutor ficar exposta. Desconecte o fio do jumper do transdutor (consulte o esquema elétrico na secção 11.7).
9. Com uma chave inglesa, remova o conjunto do transdutor (5) do bloco da bomba (6).
10. Enrosque o novo conjunto do transdutor no bloco da bomba. Aperte firmemente com uma chave inglesa.
11. Conecte o novo fio do transdutor no jumper do transdutor (consulte o esquema elétrico na secção 11.7).

12. Volte a montar a bomba invertendo os passos 1-7.



11.7 Diagrama de conexão Performance Series 560e



12. Apêndice

12.1 Selecção do bico

A selecção dos bicos é muito importante para obter um funcionamento racional e correcto. Em muitos casos, o bico correcto só pode ser determinado através de um teste de pulverização.

Algumas regras a respeito:

O jacto de pulverização deve ser regular.

Se surgirem franjas no jacto, a pressão de pulverização é demasiado baixa ou a viscosidade do material de revestimento é elevada.

Solução: Aumente a pressão ou dilua o material de revestimento. Cada bombada transporta uma certa quantidade em relação ao tamanho do bico:

Regra geral: bico grande = baixa pressão
 bico pequeno = alta pressão

Existe uma grande variedade de bicos com diversos ângulos de pulverização.

12.2 Manutenção e limpeza dos bicos de metal duro Airless

Bicos standard

Se tem instalado um tipo de bico diferente, limpe-o de acordo com as instruções do fabricante.

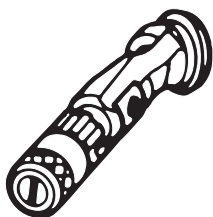
O bico tem um orifício que foi elaborado com a mais alta precisão. Para obter uma longa durabilidade, é necessário cuidar os bicos com muito cuidado.

Não esquecer que o metal duro inserido é frágil! Não atire o bico, nem o use com objectos de metal afiados.

Os seguintes pontos devem ser tidos em conta de forma a manter o bico limpo e pronto a ser usado:

1. Abrir a válvula de descarga, posição da válvula ESCORVAR (↻ circulação).
2. Desligar a unidade.
3. Desmontar o bico da pistola de pulverização.
4. Colocar o bico num agente de limpeza adequado até que sejam dissolvidos todos os resíduos do material de revestimento.
5. Se houver ar comprimido, soprar o bico.
6. Remover possíveis resíduos com um palito ou com outro objecto semelhante.
7. Examinar o bico com a ajuda de uma lupa e, se necessário, repetir os pontos 4 a 6.

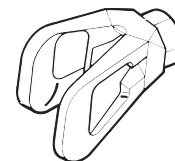
12.3 Acessórios da pistola de pulverização



Bico regulável do jacto plano
ATÉ 25 MPA (250 BAR)

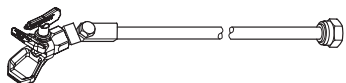
Marcação do bico	Orifício mm	Largura da pulverização cerca de 30 cm de distância do objecto pulverizado Pressão 100 bar (10 MPa)	Utilização	Bico regulável do jacto plano Nº de pedido
15	0,13 - 0,46	5 - 35 cm	Tintas	341-015
20	0,18 - 0,48	5 - 50 cm	Tintas, Dispositivos de enchimento	341-020
28	0,28 - 0,66	8 - 55 cm	Tintas, Tintas de dispersão	341-028
41	0,43 - 0,88	10 - 60 cm	Tintas antioxidantes - dispersão	341-041
49	0,53 - 1,37	10 - 40 cm	Revestimentos de grandes superfícies	341-049

Protecção contra contactos
para o bico regulável do jacto



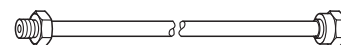
Nº de pedido **450-100A**

Extensão do bico com articulação giratória (sem bico)



Comprimento: 90 cm Nº de ped. **310-390**
Comprimento: 180 cm Nº de ped. **0279976**

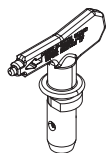
Extensão do bico



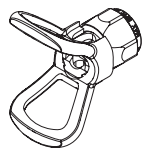
15 cm, Rosca F, Nº de ped. **651-121**
30 cm, Rosca F, Nº de ped. **651-122**
45 cm, Rosca F, Nº de ped. **651-123**
60 cm, Rosca F, Nº de ped. **651-124**

15 cm, Rosca G, Nº de ped. **651-070**
30 cm, Rosca G, Nº de ped. **651-071**
45 cm, Rosca G, Nº de ped. **651-072**
60 cm, Rosca G, Nº de ped. **651-073**

12.4 Quadro dos bicos Airless



**Titan
SC6+ agulheta**
até 270 bar
(27 MPa)



sem agulheta
Rosca G (7/8 - 14 UNF)
fpara pistolas de pulverização Graco/Titan
Nº de encomenda 0289228



Todas as agulhetas na tabela em baixo são fornecidas com o correspondente filtro de pistola.

Aplicação	Marcação da agulheta	Ângulo de pulverização	Orifício inch / mm	Largura de pulverização ¹⁾	Filtro da pistola	Nº de encomenda
Tintas e esmaltes, óleos, anti-glomerantes à base de solvente e solúveis em água	107	10°	0,007 / 0,18	100	vermelho	662-107
	207	20°	0,007 / 0,18	120	vermelho	662-207
	307	30°	0,007 / 0,18	150	vermelho	662-307
	407	40°	0,007 / 0,18	190	vermelho	662-407
	109	10°	0,009 / 0,23	100	vermelho	662-109
	209	20°	0,009 / 0,23	120	vermelho	662-209
	309	30°	0,009 / 0,23	150	vermelho	662-309
	409	40°	0,009 / 0,23	190	vermelho	662-409
	509	50°	0,009 / 0,23	225	vermelho	662-509
	609	60°	0,009 / 0,23	270	vermelho	662-609
Tintas de resina sintética Tintas de PVC	111	10°	0,011 / 0,28	100	vermelho	662-111
	211	20°	0,011 / 0,28	120	vermelho	662-211
	311	30°	0,011 / 0,28	150	vermelho	662-311
	411	40°	0,011 / 0,28	190	vermelho	662-411
	511	50°	0,011 / 0,28	225	vermelho	662-511
	611	60°	0,011 / 0,28	270	vermelho	662-611
Tintas, primários Primários Cargas	113	10°	0,013 / 0,33	100	vermelho	662-113
	213	20°	0,013 / 0,33	120	vermelho	662-213
	313	30°	0,013 / 0,33	150	vermelho	662-313
	413	40°	0,013 / 0,33	190	vermelho	662-413
	513	50°	0,013 / 0,33	225	vermelho	662-513
	613	60°	0,013 / 0,33	270	vermelho	662-613
Cargas Tintas anticorrosivas	115	10°	0,015 / 0,38	100	amarelo	662-115
	215	20°	0,015 / 0,38	120	amarelo	662-215
	315	30°	0,015 / 0,38	150	amarelo	662-315
	415	40°	0,015 / 0,38	190	amarelo	662-415
	515	50°	0,015 / 0,38	225	amarelo	662-515
	615	60°	0,015 / 0,38	270	amarelo	662-615
	715	70°	0,015 / 0,38	300	amarelo	662-715
	Tintas anticorrosivas Tintas de látex Tintas de dispersão	117	10°	0,017 / 0,43	100	amarelo
217		20°	0,017 / 0,43	120	amarelo	662-217
317		30°	0,017 / 0,43	150	amarelo	662-317
417		40°	0,017 / 0,43	190	amarelo	662-417
517		50°	0,017 / 0,43	225	amarelo	662-517
617		60°	0,017 / 0,43	270	amarelo	662-617
717		70°	0,017 / 0,43	300	amarelo	662-717
Tintas anticorrosivas Tintas de látex Tintas de dispersão	219	20°	0,019 / 0,48	120	branco	662-219
	319	30°	0,019 / 0,48	150	branco	662-319
	419	40°	0,019 / 0,48	190	branco	662-419
	519	50°	0,019 / 0,48	225	branco	662-519
	619	60°	0,019 / 0,48	270	branco	662-619
	719	70°	0,019 / 0,48	300	branco	662-719
	Proteção contra incêndios	221	20°	0,021 / 0,53	120	branco
321		30°	0,021 / 0,53	150	branco	662-321
421		40°	0,021 / 0,53	190	branco	662-421
521		50°	0,021 / 0,53	225	branco	662-521
621		60°	0,021 / 0,53	270	branco	662-621
721		70°	0,021 / 0,53	300	branco	662-721
821		80°	0,021 / 0,53	330	branco	662-821

1) Largura de pulverização a aproximadamente 30 cm de distância do objecto a ser pulverizado e uma pressão de 100 bar (10 MPa) com tinta de resina sintética com viscosidade de 20 DIN-segundos.

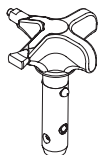


Todas as agulhetas na tabela em baixo são fornecidas com o correspondente filtro de pistola.

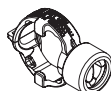
Aplicação	Marcação da agulheta	Ângulo de pulverização	Orifício inch / mm	Largura de pulverização ¹⁾	Filtro da pistola	Nº de encomenda
Material contra incêndios para telhados	223	20°	0,023 / 0,58	120	branco	662-223
	323	30°	0,023 / 0,58	150	branco	662-323
	423	40°	0,023 / 0,58	190	branco	662-423
	523	50°	0,023 / 0,58	225	branco	662-523
	623	60°	0,023 / 0,58	270	branco	662-623
	Materiais vedantes, Proteção contra a corrosão, Argamassa em spray	225	20°	0,025 / 0,64	120	branco
325		30°	0,025 / 0,64	150	branco	662-325
425		40°	0,025 / 0,64	190	branco	662-425
525		50°	0,025 / 0,64	225	branco	662-525
625		60°	0,025 / 0,64	270	branco	662-625
227		20°	0,027 / 0,69	120	branco	662-227
327		30°	0,027 / 0,69	150	branco	662-327
427		40°	0,027 / 0,69	190	branco	662-427
527		50°	0,027 / 0,69	225	branco	662-527
627		60°	0,027 / 0,69	270	branco	662-627
229		20°	0,029 / 0,75	120	branco	662-229
329		30°	0,029 / 0,75	150	branco	662-329
429		40°	0,029 / 0,75	190	branco	662-429
529		50°	0,029 / 0,75	225	branco	662-529
629		60°	0,029 / 0,75	270	branco	662-629
231		20°	0,031 / 0,79	120	branco	662-231
331		30°	0,031 / 0,79	150	branco	662-331
431		40°	0,031 / 0,79	190	branco	662-431
531		50°	0,031 / 0,79	225	branco	662-531
631		60°	0,031 / 0,79	270	branco	662-631
731		70°	0,031 / 0,79	300	branco	662-731
831		80°	0,031 / 0,79	330	branco	662-831
233		20°	0,033 / 0,83	120	branco	662-233
333		30°	0,033 / 0,83	150	branco	662-333
433		40°	0,033 / 0,83	190	branco	662-433
533		50°	0,033 / 0,83	225	branco	662-533
633		60°	0,033 / 0,83	270	branco	662-633
235		20°	0,035 / 0,90	120	branco	662-235
335		30°	0,035 / 0,90	150	branco	662-335
435		40°	0,035 / 0,90	190	branco	662-435
535		50°	0,035 / 0,90	225	branco	662-535
635		60°	0,035 / 0,90	270	branco	662-635
735		70°	0,035 / 0,90	300	branco	662-735
439	40°	0,039 / 0,99	190	branco	662-439	
539	50°	0,039 / 0,99	225	branco	662-539	
639	60°	0,039 / 0,99	270	branco	662-639	
Aplicações Heavy Duty	443	40°	0,043 / 1,10	190	verde	662-443
	543	50°	0,043 / 1,10	225	verde	662-543
	643	60°	0,043 / 1,10	270	verde	662-643
	445	40°	0,045 / 1,14	190	verde	662-445
	545	50°	0,045 / 1,14	225	verde	662-545
	645	60°	0,045 / 1,14	270	verde	662-645
	451	40°	0,051 / 1,30	190	verde	662-451
	551	50°	0,051 / 1,30	225	verde	662-551
	651	60°	0,051 / 1,30	270	verde	662-651
	455	40°	0,055 / 1,40	190	verde	662-455
	555	50°	0,055 / 1,40	225	verde	662-555
	655	60°	0,055 / 1,40	270	verde	662-655

1) Largura de pulverização a aproximadamente 30 cm de distância do objecto a ser pulverizado e uma pressão de 100 bar (10 MPa) com tinta de resina sintética com viscosidade de 20 DIN-segundos.

12.5 Quadro dos bicos de TR²



O inovador bico dispõe de 2 medidas, num só,



Bico de TR² suporte
Nº de encomenda 0271065

Aplicação	Marcação da agulheta (1 / 2)	Ângulo de pulverização (1 / 2)	Orifício 1 inch / mm	Orifício 2 inch / mm	Largura de pulverização 1 mm *	Largura de pulverização 2 mm *	Filtro de pistola	Nº de ped,
Armários, Móveis e Balcões	311/107	30°/10°	0,011 / 0,28	0,007 / 0,18	150	100	vermelho	692-311
	313/109	30°/10°	0,013 / 0,33	0,009 / 0,23	150	100	vermelho	692-313
Portas & Friso	415/111	40°/10°	0,015 / 0,38	0,011 / 0,28	190	100	amarelo	692-415
	417/113	40°/10°	0,017 / 0,43	0,013 / 0,33	190	100	branco	692-417
Óleo ou Látex para Exterior	515/211	50°/20°	0,015 / 0,38	0,011 / 0,28	225	120	amarelo	692-515
Látex para Exterior	517/213	50°/20°	0,017 / 0,43	0,013 / 0,33	225	120	branco	692-517
	519/213	50°/20°	0,019 / 0,48	0,013 / 0,33	225	120	branco	692-519
	521/215	50°/20°	0,021 / 0,53	0,015 / 0,38	225	120	branco	692-521
Enchimento de Blocos	535/223	50°/20°	0,035 / 0,90	0,023 / 0,58	225	120	verde	692-535
	635/327	60°/30°	0,035 / 0,90	0,027 / 0,69	270	150	verde	692-635
Composto para juntas diluído	627/321	60°/30°	0,027 / 0,69	0,021 / 0,53	270	150	verde	692-627
	831/321	80°/30°	0,031 / 0,79	0,021 / 0,53	330	150	verde	692-831
Látex de Pulverização Alargada	1223/315	120°/30°	0,023 / 0,58	0,015 / 0,38	540	150	branco	692-1223
	1231/317	120°/30°	0,031 / 0,79	0,017 / 0,43	540	150	branco	692-1231
Guarda-fogo	525/331	50°/30°	0,035 / 0,90	0,031 / 0,79	225	150	verde	692-525331

* Largura de pulverização a aproximadamente 30 cm de distância do objecto a ser pulverizado e uma pressão de 100 bar (10 MPa) com tinta de resina sintética com viscosidade de 20 DIN-segundos,

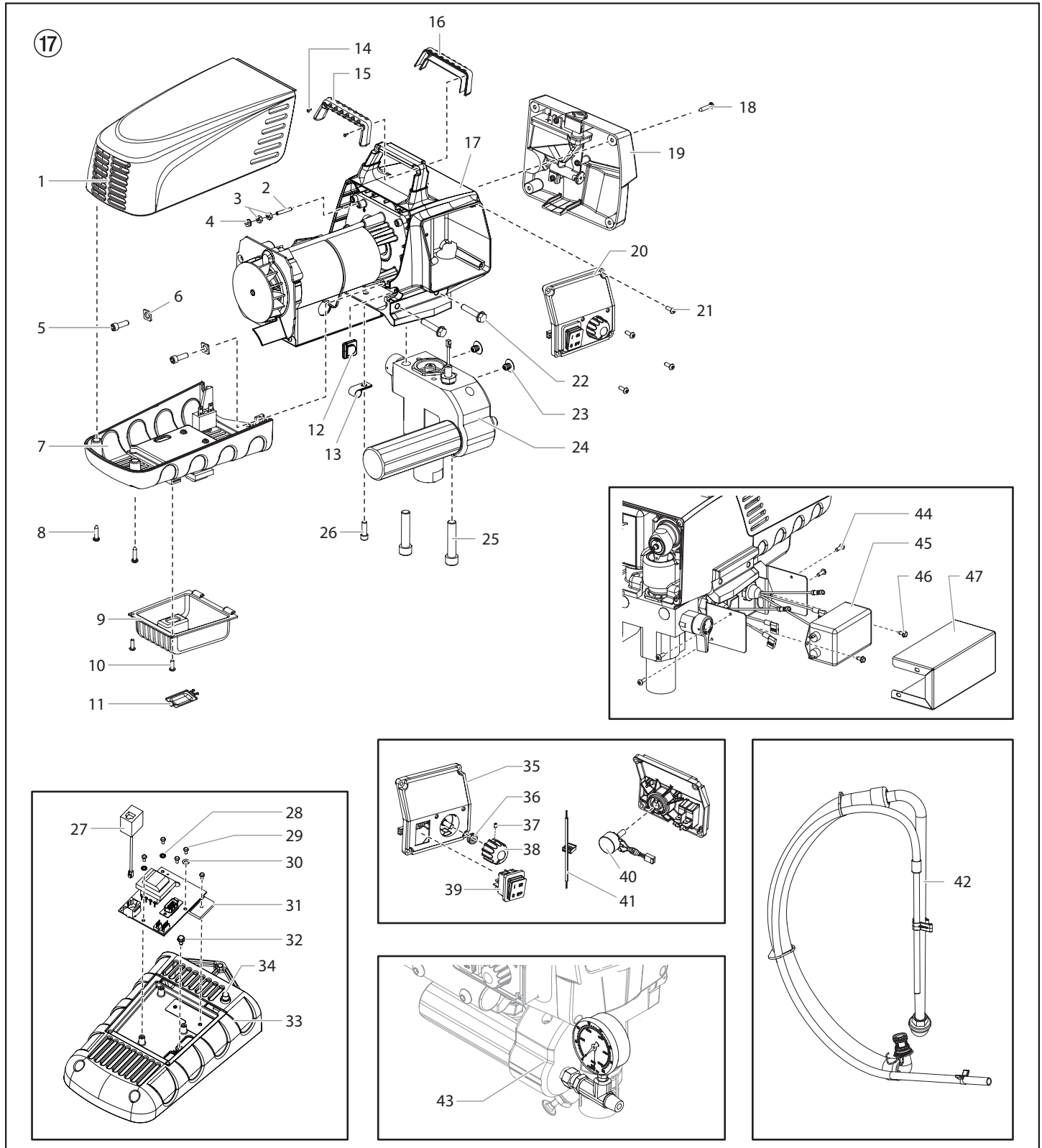
12.6 Acessórios adicionais para 560e

Nº de ped.	Descrição
580-050	Pistola de pulverização LX-80, tubo flexível e bico
580-100A	Pistola de pulverização LX-80 II com bico 517
316-505	Tubo flexível sem ar 1/4" x 50'
314-482	LS-10 Liquid Shield™, 946 ml
314-480	Piston Lube™, garrafa de 8 oz.
0508071	PaintMate, 946 ml

(GB) Main Assembly

(E) Conjunto principal

(P) Conjunto principal

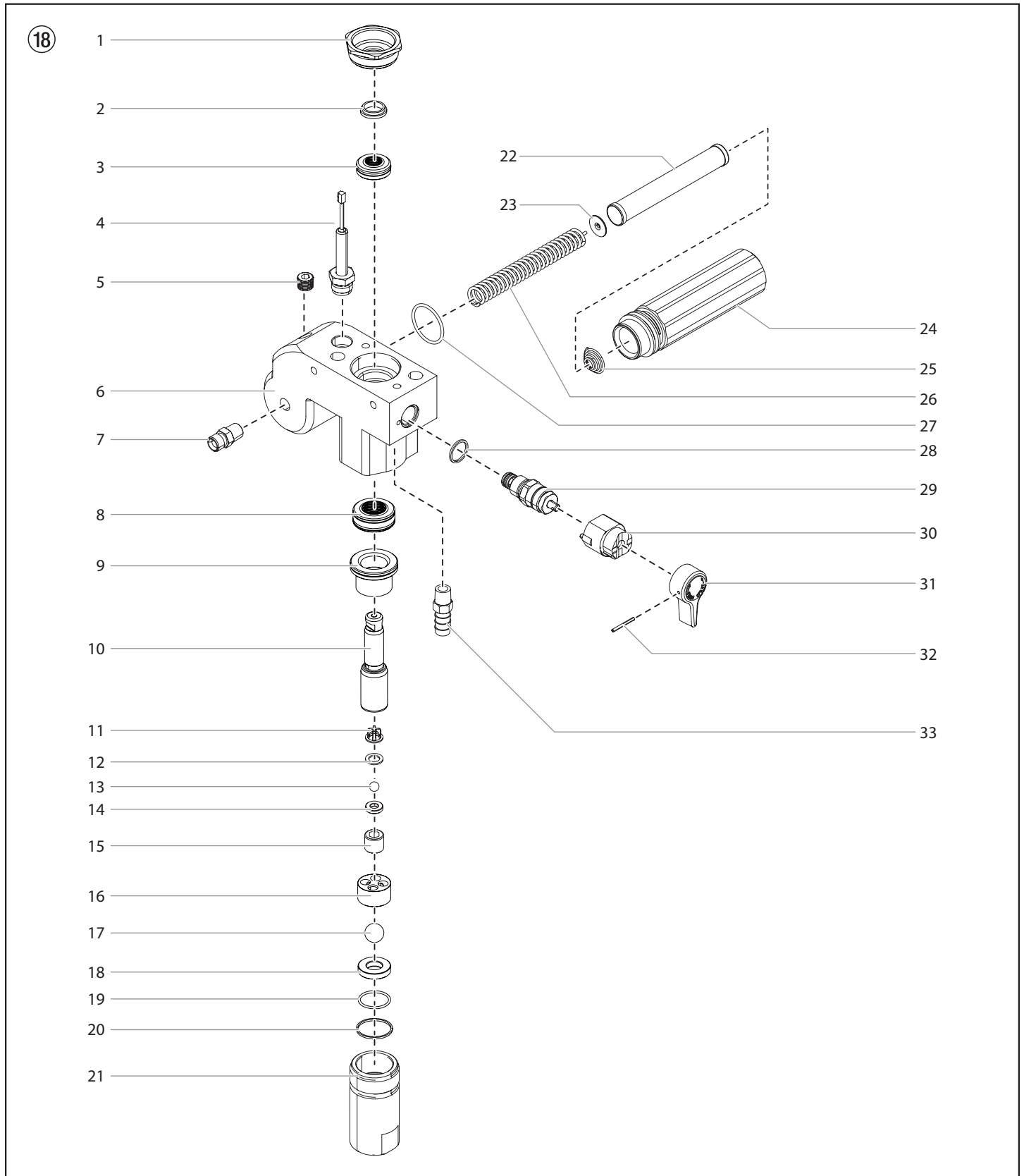


#	560e	(GB) Description	(E) Denominación	(P) Descrição
1	805-356A	Motor shroud	Cubremotor	Cobertura do motor
2	9805 403	Set screw	Tornillo de fijación	Parafuso de fixação
3	9810 103	Nut (2)	Tuerca (2)	Porca (2)
4	0524 353	Nut	Tuerca	Porca
5	9800 319	Screw (2)	Tornillo (2)	Parafuso (2)
6	9822 627	Washer (2)	Arandela (2)	Arruela (2)
7	-----	Belly pan assembly (includes items 27-33)	Conjunto de cubierta inferior (incluye los elementos 27 a 33)	Conjunto da protecção inferior (inclui os itens 27-33)
8	9802 266	Screw (2)	Tornillo (2)	Parafuso (2)
9	805-399A	Dust cover	Cubierta guardapolvos	Tampa protectora antipó
10	0509 218	Screw (2)	Tornillo (2)	Parafuso (2)
11	0290 222	Door	Puerta	Porta
12	0558 460	Plug	Tapón de cierre	Tampão
13	315-511	Strap	Correa	Cinta
14	9805 317	Screw (2)	Tornillo (2)	Parafuso (2)
15	0290 212	Handle cover, back	Cubierta de la manilla, posterior	Revestimento da pega, posterior
16	0290 213	Handle cover, front	Cubierta de la manilla, delantera	Revestimento da pega, anterior
17	-----	Drive assembly	Conjunto del macanismo impulsor	Unidade de comando
18	0509 218	Screw (4)	Tornillo (4)	Parafuso (4)
19	0290 278	Face plate / oiler assembly	Conjunto de aceitero / superficie de la placa	Conjunto do lubrificador / placa frontal
20	805-211A	Control panel assembly, complete (includes items 35-41)	Conjunto del panel de control, completo (incluye los artículos 36 a 41)	Conjunto do painel de controlo (inclui os itens 35-41)
21	0509 218	Screw (4)	Tornillo (4)	Parafuso (4)
22	9805 348	Screw (4)	Tornillo (4)	Parafuso (4)
23	704-358	Plug (2)	Tapón de cierre (2)	Tampão (2)
24	0552 614A	Fluid section assembly	Conjunto de la zona de pintura	Secção de fluido
25	704-117	Screw (2)	Tornillo (2)	Parafuso (2)
26	9800 319	Screw	Tornillo	Parafuso
27	704-548	Transducer jumper	Puente del transductor	Ligação em ponte do transdutor
28	9822 624	Washer (2)	Arandela (2)	Arruela (2)
29	9800 607	Screw (5)	Tornillo (5)	Parafuso (5)
30	54054	Washer	Arandela	Arruela
31	0290 221	PC board assembly	Conjunto de tarjeta de circuito impreso	Conjunto do circuito impresso
32	9800 340	Screw	Tornillo	Parafuso
33	805-398A	Belly pan	Cubierta inferior	Protecção inferior
34	0508 655	Circuit breaker	Interruptor protector de sobrecarga	Disjuntor
35	805-843	Control panel cover with label	Cubierta del panel de control	Cobertura do painel de controlo
36	0507 749	Nut with seal	Tuerca con junta	Porca com vedação
37	0290 202	Set screw	Tornillo de fijación	Parafuso de fixação
38	0290 218	Knob	Mando regulador de presión	Botão regulador da pressão
39	9850 936	Switch	Interruptor ON/OFF	Interruptor (Ligar/Desligar)
40	0508 579	Potentiometer	Potenciómetro	Potenciómetro
41	0522 007	LED assembly	Conjunto de LED	Conjunto LED
42	0558 672A	Siphon assembly	Sistema de aspiración	Sistema de sucção
43	0508 239	Manometer	Manómetro	Manómetro
44	0509 218	Screw (4)	Tornillo (4)	Parafuso (4)
45	0522 424	EMI filter, 20A	Filtro EMI, 20A	Filtro EMI, 20A
46	9800 340	Ground screw (2)	Tierra el tornillo (2)	Parafuso de ligação à terra (2)
47	0558 452	Bracket cover	Cubierta del soporte	Tampa do suporte de montagem
	0522 052	Wire assembly (not shown)	Conjunto del alambre (no ilustrado)	Conjunto de fios (não ilustrado)
	0522 053	Wire assembly (not shown)	Conjunto del alambre (no ilustrado)	Conjunto de fios (não ilustrado)

GB Fluid Section

E Zona de pintura

P Secção de fluido

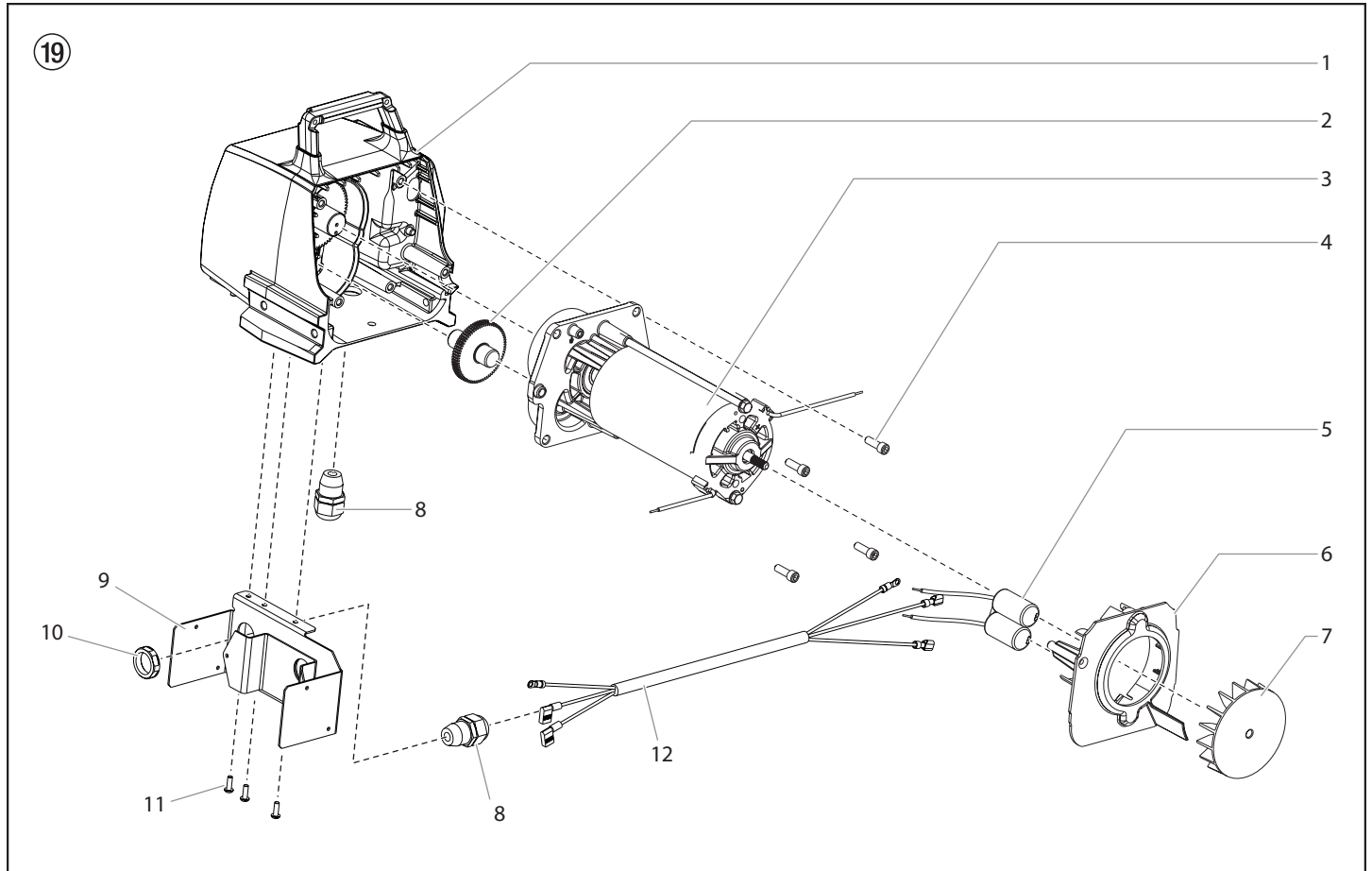


#	560e	(GB) Description	(E) Denominación	(P) Descrição
1	0509 594	Retainer	Tuerca guía	Porca de fixação
2	0509 584	Piston guide	Guía de pistón	Guia do pistão
3	700-278A	Upper packing	Empaquetadura superior	Empanque superior
4	704-492A	Transducer assembly	Impulsor manométrico	Conjunto do transdutor
5	0507 517	Pipe plug	Tapón de la tubería	Tampão do tubo
6	0290 209	Pump manifold	Caja de escala cromática	Colector da bomba
7	0509 873	Fitting	Pieza de unión	Junção dupla
8	0532915	Lower packing	Empaquetadura inferior	Empanque inferior
9	0552 489	Bushing	Manguito	Bucha
10	0290 277	Piston rod	Pistón	Pistão
11	0551 262	Upper cage	Guía de bola superior	Guia de esfera superior
12	0551 263	Crush washer	Arandela de compresión	Arruela de retenção
13	50164	Outlet valve ball	Bola de válvula de escape	Esfera da válvula de escape
14	0551 620	Outlet valve seat	Encaje de válvula de escape	Sede da válvula de escape
15	13481	Outlet valve retainer	Caja de válvula de escape	Corpo da válvula de escape
16	0509 591	Lower ball guide	Guía de bola inferior	Guia de esfera inferior
17	0509 583	Inlet valve ball	Bola de válvula de admisión	Esfera da válvula de admisión
18	0551 534	Inlet valve seat	Encaje de válvula de admisión	Sede da válvula de admisión
19	0509 582	O-ring, PTFE	Anillo tórico, PTFE	Anel em O, PTFE
20	0509 581	Inlet valve seal	Junta inferior	Vedação inferior
21	0290 216	Inlet valve housing	Anillo tórico, PTFE	Anel em O, PTFE
22	0508 748	Filter	Caja de filtro	Corpo da filtro
23	0508 603	Bearing ring	Filtro	Filtro
24	0508 601	Filter housing	Anillo tórico	Anel em O
25	0508 602	Conical spring	Tapón de la tubería	Tampão do tubo
26	0508 749	Bearing spring	Resorte	Mola
27	0508 604	O-ring	Anillo tórico	Anel em O
28	0507 745	Gasket	Empaquetadura	Junta
29	0558 727	Bypass valve assembly (includes item 28)	Conjunto de válvula de derivación (incluye los pos. 28)	Conjunto da válvula de desvio (inclui os iten 28)
30	0507 931	Cam base	Base de la leva	Base de came
31	0508 744	Relief valve knob	Manilla de la válvula	Manípulo da válvula
32	5006 543	Groove pin	Pasador de ranura	Pino entalhado
33	193-200	Return tube fitting	Acople del tubo de retorno	Conexão do tubo de retorno
	0509 151	Piston assembly (includes items 10-15)	Conjunto de pistón (incluye los Pos. 10 a 15)	Conjunto do pistão (inclui os itens 10-15)
	704-586	Repacking kit - 1 (includes items 2-3, 8, 11-13, 17 and 19-20).	Juego para volver a colocar la empaquetadura - 1 (incluye los Pos. 2 a 3, 8, 11 a 13, 17 y 19 a 20).	Kit de novos empanques - 1 (inclui os itens 2-3, 8, 11-13, 17, e 19-20).
	700-258	Relief valve w/ handle (includes items 29 - 33)	Válvula de descarga con la agarradero (incluye los Pos. 29 - 33)	Válvula de descarga (inclui os itens 29 - 33)

Ⓞ GB Drive Assembly

Ⓞ E Conjunto del mecanismo impulsor

Ⓞ P Unidade de comando



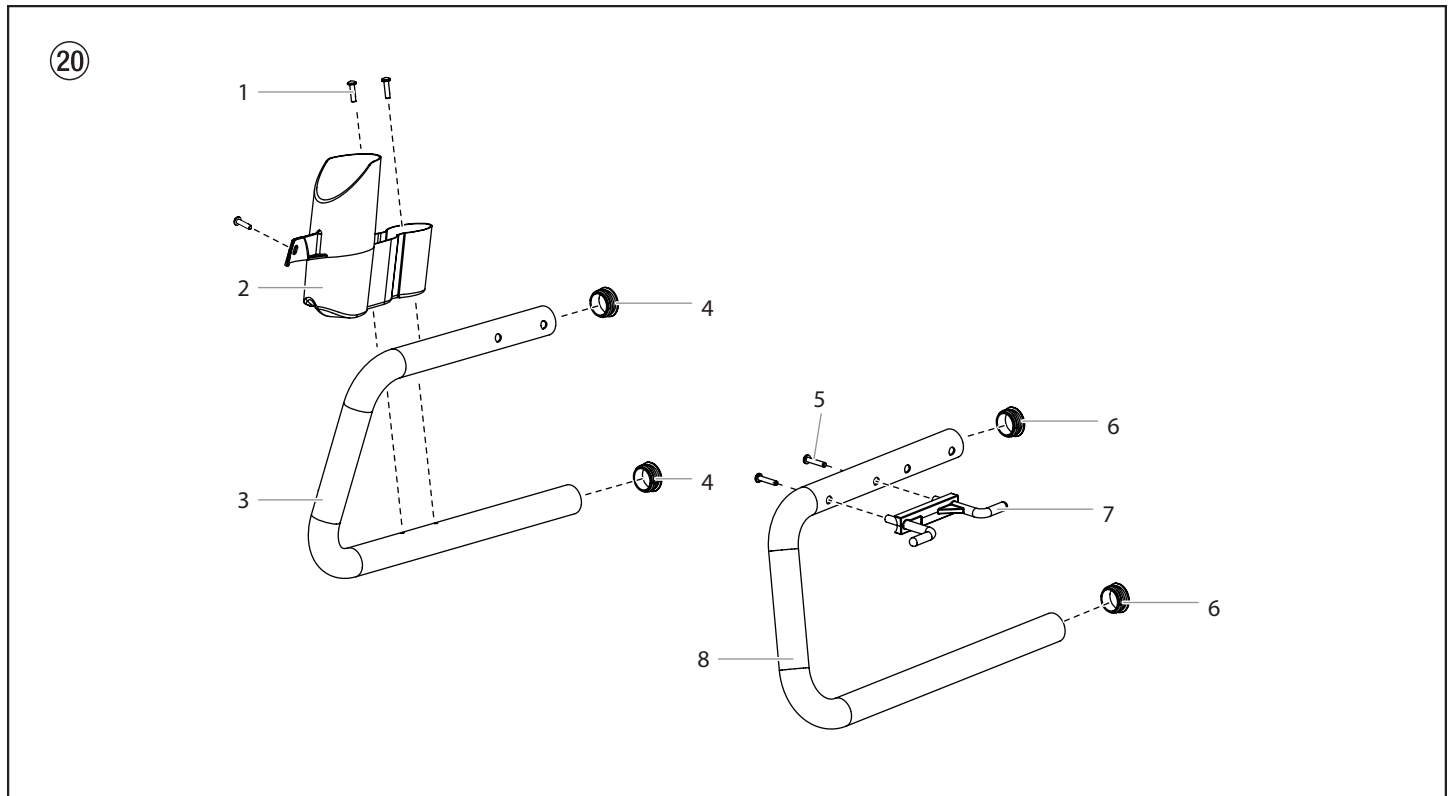
CEE 7/7	GB-2099-1	IRAM-2073	AS-3112	BS4343	NEMA 5-15P	IEC 60906
0558 465 230V 6 m	0558 434 230V 6 m	0558 435 220V~240V 6 m	0558 467 220V~240V 6 m	0558 466 ~110V 6 m	0290 281 ~110V 2,5 m	0552 637 230V 6 m

#	560e	(GB) Description	(E) Denominación	(P) Descrição
1	0524 637A	Housing assembly	Conjunto de carcasa	Conjunto do alojamento
2	0509 121	2nd stage gear	Rueda de engranaje, grado 2	Engrenagem de segundo andar
3	0558 375	Motor assembly, 220~240VAC (includes items 3 and 5-7)	Conjunto del motor, 220~240VAC (incluye los Pos. 3 y 5 a 7)	Conjunto do motor, 220~240VAC (inclui os itens 3 e 5-7)
	0558 373	Motor assembly, 100~120VAC (includes items 3 and 5-7)	Conjunto del motor, 100~120VAC (incluye los Pos. 3 y 5 a 7)	Conjunto do motor, 100~120VAC (inclui os itens 3 e 5-7)
4	9800 319	Screw (4)	Tornillo (4)	Parafuso (4)
5	0551 967	Capacitor assembly	Condensadores	Condensador
6	0290 217	Baffle assembly	Pared intermedia	Deflector
7	0512 340	Fan	Ventilador	Ventoinha
8	0551 714	Cord grip (2)	Sujetador de cables (2)	Fixador do cabo (2)
9	0558 449	Bracket	Soporte	Suporte de montagem
10	0551 980	Lock nut	Contratuercas	Contra porca
11	0509 218	Screw (3)	Tornillo (3)	Parafuso (3)
12	0558 476	Power cord jumper	Puente del cable de alimentación	Ligação em ponte do cabo de alimentação
	-----	Double sided tape (not shown)	Cinta adhesiva (no se muestran)	Fita adesiva de face dupla (não ilustrado)
	0551 543	Tie wrap (not shown)	Amarre del cable (no se muestran)	Braçadeira (não ilustrado)
	704-276	Motor brush kit	Juego de escobillas de carbón	Kit de escovas do motor

(GB) Stand

(E) Bastidor-soporte

(P) Estrutura

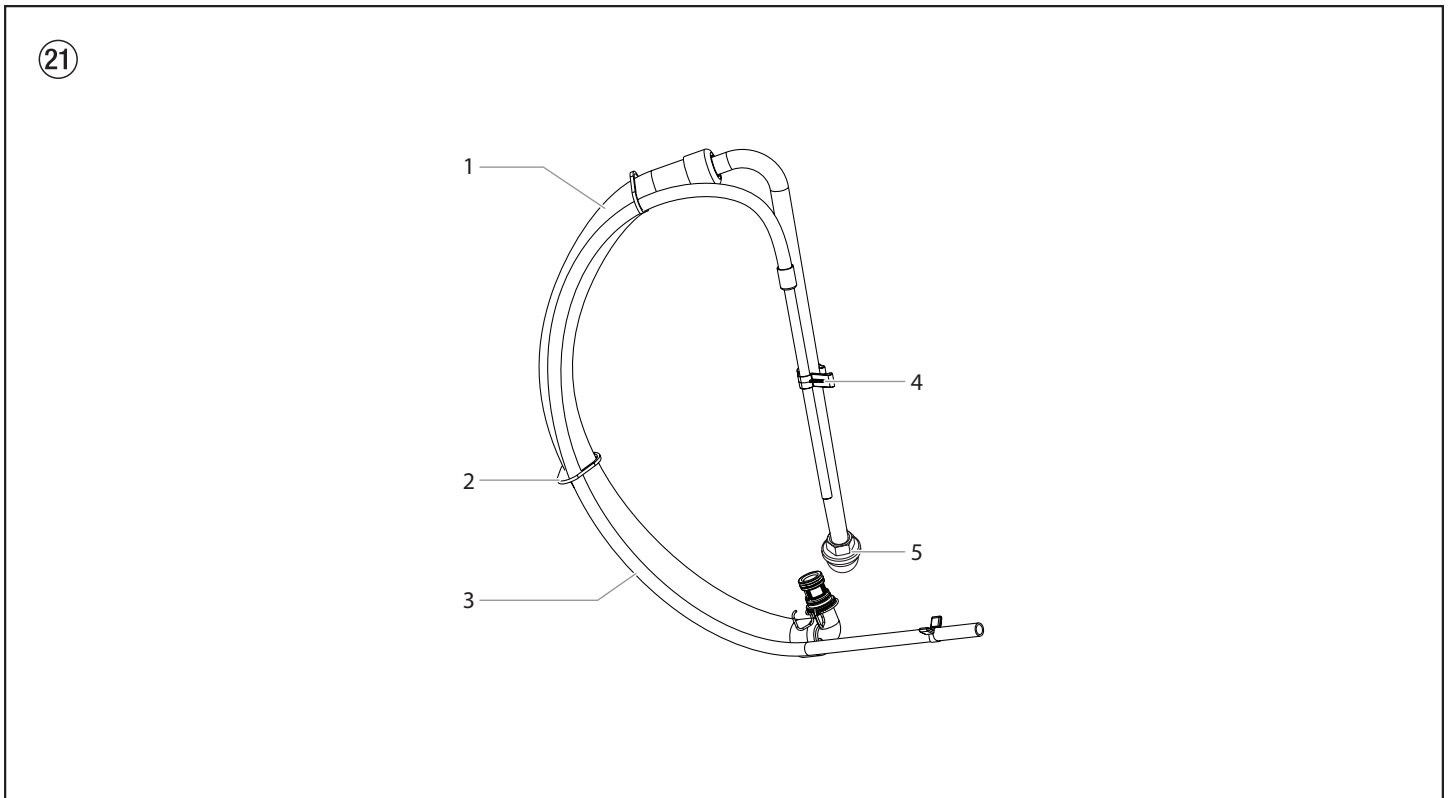


#	560e	(GB) Description	(E) Denominación	(P) Descrição
1	9805 367	Screw (3)	Tornillo (3)	Parafuso (3)
2	0290 215	Drip cup	Recipiente de limpieza	Recipiente de gotejamento
3	0290 211	Leg, right	Arco a la derecha	Apoio direito
4	0294 635	Plug (2)	Tapón de cierre (2)	Tampão (2)
5	0508 660	Screw (2)	Tornillo (2)	Parafuso (2)
6	0294 635	Plug (2)	Tapón de cierre (2)	Tampão (2)
7	0290 219	Cord holder	Soporte de cable de red	Suporte do cabo
8	0290 210	Leg, left	Arco a la izquierda	Apoio esquerdo
	0552 626A	Left leg assembly (includes items 1-4)	Arco a la izquierda (Pos. 1-4)	Apoio esquerdo (item 1-4)
	0552 624A	Right leg assembly (includes items 5-8)	Arco a la derecha (Pos. 5-8)	Apoio direito (item 5-8)

Ⓒ **Suction system**

Ⓔ **Sistema de aspiración**

Ⓕ **Sistema de sucção**



#	560e	Ⓒ Description	Ⓔ Denominación	Ⓕ Descrição
1	0551 706	Siphon hose	Manguera de aspiración	Tubo de sucção
2	9850 638	Tie wrap (2)	Amarre del cable (2)	Braçadeira (2)
3	0558 659A	Return tube	Manguera de retorno	Tubo de retorno
4	0279 459	Clip	Grapa de sujeción	Grampo de retenção
5	0295 565	Inlet screen (16 mesh)	Filtro, 16 malla	Filtro, 16 mailles
	700-805	Inlet screen (10 mesh)	Filtro, 10 malla	Filtro, 10 mailles
	0558 672	Siphon tube assembly (includes items 1-5)	Sistema de aspiración (Pos. 1-5)	Sistema de sucção (item 1-5)

Garantía

Titan Tool, Inc., ("Titan") garantiza que al momento de la entrega al comprador original para su uso ("Usuario Final") el equipo que se encuentra bajo la cobertura de esta garantía no presentará defectos de materiales ni de mano de obra. A excepción de cualquier garantía especial, limitada o extendida publicada por Titan, la obligación de Titan según esta garantía se limita al reemplazo o la reparación sin cargo de las piezas, las que según el criterio de Titan se presenten como defectuosas dentro de doce (12) meses después de la venta al Usuario Final. Esta garantía es aplicable sólo cuando la unidad se instala y se hace funcionar de acuerdo con las recomendaciones e instrucciones de Titan.

Esta garantía no se aplica en caso de daño o desgaste provocado por abrasión, corrosión, uso indebido, negligencia, accidente, instalación defectuosa, sustitución de piezas de componentes que no pertenezcan a Titan o la alteración de la unidad de alguna manera que impida su funcionamiento normal.

Las piezas defectuosas se deben devolver a una tienda de ventas/servicio técnico autorizada de Titan. Todos los cargos de transporte, incluido el regreso a la fábrica de ser necesario, deben ser costeados y pagados por adelantado por el Usuario Final. El equipo que se repare o reemplace se devolverá al Usuario Final con los gastos de envío pagados por adelantado.

NO EXISTE OTRA GARANTÍA EXPRESA. POR ESTE MEDIO TITAN NIEGA TODAS LAS GARANTÍAS IMPLÍCITAS, ENTRE LAS QUE SE INCLUYEN, AQUELLAS DE COMERCIALIZACIÓN Y APTITUD PARA UN FIN EN PARTICULAR DENTRO DE LO QUE PERMITA LA LEY. LA DURACIÓN DE CUALQUIER GARANTÍA IMPLÍCITA QUE NO SE PUEDA NEGAR SE LIMITA AL PERÍODO QUE SE ESPECIFIQUE EN LA GARANTÍA EXPRESA. LA RESPONSABILIDAD DE TITAN NO EXCEDERÁ EN NINGÚN CASO EL VALOR DE LA COMPRA. LA RESPONSABILIDAD POR DAÑOS ESPECIALES, INDIRECTOS O EMERGENTES SEGÚN CUALQUIERA Y TODAS LAS GARANTÍAS ESTÁ EXCLUIDA DENTRO DE LO QUE PERMITA LA LEY.

TITAN NO REALIZA NINGUNA GARANTÍA Y NIEGA TODAS LAS GARANTÍAS IMPLÍCITAS DE COMERCIALIZACIÓN Y APTITUD PARA UN FIN EN PARTICULAR EN RELACIÓN CON ACCESORIOS, EQUIPOS, MATERIALES O COMPONENTES QUE VENDA, PERO QUE NO FABRIQUE TITAN. ESTOS ARTÍCULOS QUE VENDA, PERO QUE NO FABRIQUE TITAN (TALES COMO MOTORES DE GAS, INTERRUPTORES, MANGUERAS, ETC.) ESTÁN SUJETOS A LA GARANTÍA, DE EXISTIR ALGUNA, DE SU FABRICANTE. TITAN PROPORCIONARÁ UNA ASISTENCIA RAZONABLE AL COMPRADOR PARA REALIZAR CUALQUIER RECLAMACIÓN POR EL INCUMPLIMIENTO DE ESTAS GARANTÍAS.

Garantia

A Titan Tool, Inc., ("Titan") garante que, no momento da entrega ao comprador original para seu uso ("Utilizador Final"), o equipamento coberto por esta garantia está isento de defeitos no material e na fabricação. Com a exceção de qualquer garantia especial, limitada ou alargada publicada pela Titan, a obrigação da Titan sob esta garantia se limita a substituir ou reparar sem cobrar essas peças que, segundo o critério da Titan, demonstram estar defeituosas dentro de doze (12) meses após a venda ao Utilizador Final. Esta garantia aplica-se apenas quando a unidade é instalada e operada de acordo com as recomendações e as instruções da Titan.

Esta garantia não se aplica no caso de danos ou desgaste causado pelo desgaste abrasivo, corrosão ou uso indevido, negligência, acidente, instalação incorrecta, substituição de peças de componentes sem serem da Titan, ou alteração ilegal da unidade de forma a afectar o funcionamento normal.

As peças defeituosas devem ser devolvidas a um centro de vendas/serviço autorizado da Titan. Todos os encargos de transporte, incluindo a devolução à fábrica, se necessário, serão custeados e pagos previamente pelo Utilizador Final. O equipamento reparado ou substituído será devolvido ao Utilizador Final com porte pré-pago.

NÃO EXISTE NENHUMA OUTRA GARANTIA EXPRESSA. A TITAN RECUSA PELA PRESENTE TODAS E QUAISQUER GARANTIAS IMPLÍCITAS INCLUINDO, SEM LIMITAÇÕES, AS DE ADEQUAÇÃO À COMERCIALIZAÇÃO, ADEQUAÇÃO A UM FIM ESPECÍFICO, NA MEDIDA EM QUE A LEGISLAÇÃO OBRIGA. A DURAÇÃO DE QUAISQUER GARANTIAS IMPLÍCITAS QUE NÃO PODEM SER RECUSADAS LIMITA-SE AO PRAZO ESPECIFICADO NA GARANTIA EXPRESSA. EM CASO ALGUM, A RESPONSABILIDADE DA TITAN EXCEDERÁ O MONTANTE DO PREÇO DE COMPRA. A RESPONSABILIDADE POR DANOS CONSEQUENCIAIS, ACIDENTAIS OU ESPECIAIS AO ABRIGO DE TODAS E QUAISQUER GARANTIAS ESTÁ EXCLUÍDA NA MEDIDA EM QUE A LEGISLAÇÃO OBRIGA.

A TITAN NÃO OFERECE GARANTIAS E RECUSA TODAS AS GARANTIAS IMPLÍCITAS DE ADEQUAÇÃO À COMERCIALIZAÇÃO E ADEQUAÇÃO A UM FIM ESPECÍFICO REFERENTE A ACESSÓRIOS, EQUIPAMENTO, MATERIAIS OU COMPONENTES VENDIDOS, MAS NÃO FABRICADOS PELA TITAN. AQUELES ARTIGOS VENDIDOS, MAS NÃO FABRICADOS PELA TITAN (COMO MOTORES A GÁS, INTERRUPTORES, TUBOS, ETC.), ESTÃO SUJEITOS À GARANTIA DO SEU PRÓPRIO FABRICANTE, CASO EXISTA. A TITAN PROPORCIONARÁ AO COMPRADOR ASSISTÊNCIA ADEQUADA PARA EFECTUAR QUAISQUER RECLAMAÇÕES EM CASO DE INCUMPRIMENTO DESTAS GARANTIAS.



Warranty

Titan Tool, Inc., ("Titan") warrants that at the time of delivery to the original purchaser for use ("End User"), the equipment covered by this warranty is free from defects in material and workmanship. With the exception of any special, limited, or extended warranty published by Titan, Titan's obligation under this warranty is limited to replacing or repairing without charge those parts which, to Titan's reasonable satisfaction, are shown to be defective within twelve (12) months after sale to the End User. This warranty applies only when the unit is installed and operated in accordance with the recommendations and instructions of Titan.

This warranty does not apply in the case of damage or wear caused by abrasion, corrosion or misuse, negligence, accident, faulty installation, substitution of non-Titan component parts, or tampering with the unit in a manner to impair normal operation.

Defective parts are to be returned to an authorized Titan sales/service outlet. All transportation charges, including return to the factory, if necessary, are to be borne and prepaid by the End User. Repaired or replaced equipment will be returned to the End User transportation prepaid.

THERE IS NO OTHER EXPRESS WARRANTY. TITAN HEREBY DISCLAIMS ANY AND ALL IMPLIED WARRANTIES INCLUDING, BUT NOT LIMITED TO, THOSE OF MERCHANTABILITY AND FITNESS FOR A PARTICULAR PURPOSE, TO THE EXTENT PERMITTED BY LAW. THE DURATION OF ANY IMPLIED WARRANTIES WHICH CANNOT BE DISCLAIMED IS LIMITED TO THE TIME PERIOD SPECIFIED IN THE EXPRESS WARRANTY. IN NO CASE SHALL TITAN LIABILITY EXCEED THE AMOUNT OF THE PURCHASE PRICE. LIABILITY FOR CONSEQUENTIAL, INCIDENTAL OR SPECIAL DAMAGES UNDER ANY AND ALL WARRANTIES IS EXCLUDED TO THE EXTENT PERMITTED BY LAW.

TITAN MAKES NO WARRANTY AND DISCLAIMS ALL IMPLIED WARRANTIES OF MERCHANTABILITY AND FITNESS FOR A PARTICULAR PURPOSE WITH RESPECT TO ACCESSORIES, EQUIPMENT, MATERIALS OR COMPONENTS SOLD BUT NOT MANUFACTURED BY TITAN. THOSE ITEMS SOLD, BUT NOT MANUFACTURED BY TITAN (SUCH AS GAS ENGINES, SWITCHES, HOSES, ETC.) ARE SUBJECT TO THE WARRANTY, IF ANY, OF THEIR MANUFACTURER. TITAN WILL PROVIDE THE PURCHASER WITH REASONABLE ASSISTANCE IN MAKING ANY CLAIM FOR BREACH OF THESE WARRANTIES.

GB

Note on disposal:

In observance of the European Directive 2002/96/EC on waste electrical and electronic equipment and implementation in accordance with national law, this product is not to be disposed of together with household waste material but must be recycled in an environmentally friendly way!



Titan or one of our dealers will take back your used Titan waste electrical or electronic equipment and will dispose of it for you in an environmentally friendly way. Please ask your local Titan service centre or dealer for details or contact us direct.

P

Observação sobre a inutilização/eliminação:

Em observância à Directiva Europeia 2002/96/EC sobre inutilização/eliminação de equipamentos electrónicos e eléctricos e respectiva implementação em conformidade com a lei nacional, este produto não deve ser eliminado juntamente com lixo doméstico, devendo ser reciclado de modo ecológico!



A Titan ou um dos seus revendedores irão proceder à recolha do seu equipamento eléctrico ou electrónico Titan para o eliminar por si, de forma ecológica. Contacte o centro de assistência ou revendedor Titan local ou contacte-nos directamente.

E

Observación sobre la eliminación de residuos:

De acuerdo con la directriz europea 2002/96/CE referente a la eliminación de aparatos eléctricos usados y su puesta en la práctica en el derecho nacional, este producto no se deberá eliminar en la basura doméstica, ¡sino que se deberá llevar a una planta de reciclaje ecológico!



Su aparato usado de Titan nos lo puede entregar a nosotros o a una de nuestras agencias comerciales, del resto nos ocupamos nosotros, es decir, de la eliminación ecológica de los residuos. Diríjase en este caso a uno de nuestros centros de asistencia técnica o a una de nuestras agencias comerciales o bien directamente a nosotros.

TITAN™

United States Sales & Service

Phone: 1-800-526-5362

Fax: 1-800-528-4826

1770 Fernbrook Lane
Plymouth, MN 55447
www.titantool.com

International Sales

international@titantool.com

Fax: 1-763-519-3509

1770 Fernbrook Lane
Plymouth, MN 55447